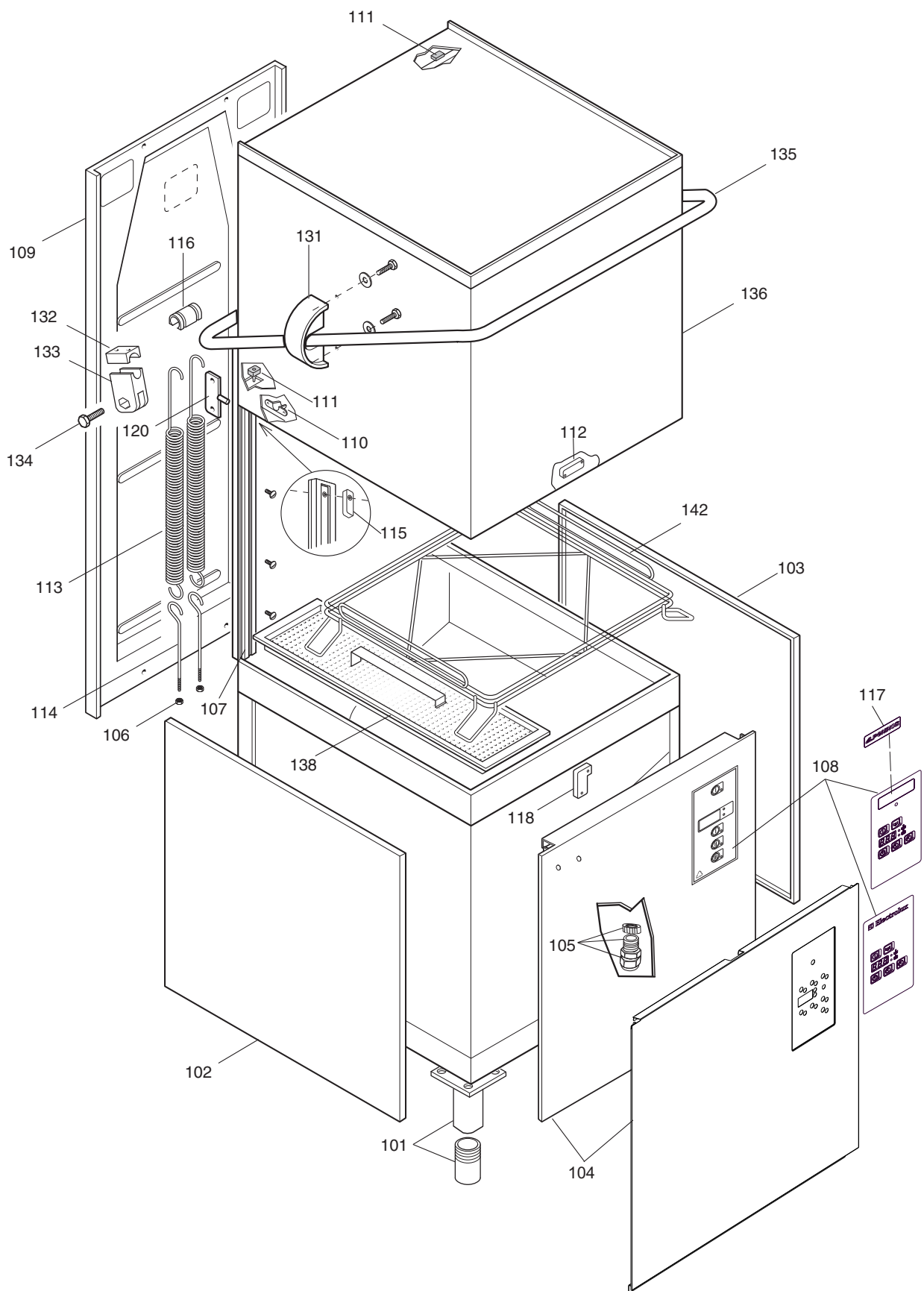


**LAVASTOVIGLIE A CAPPOTTINA
HOOD TYPE DISHWASHER****WT55**

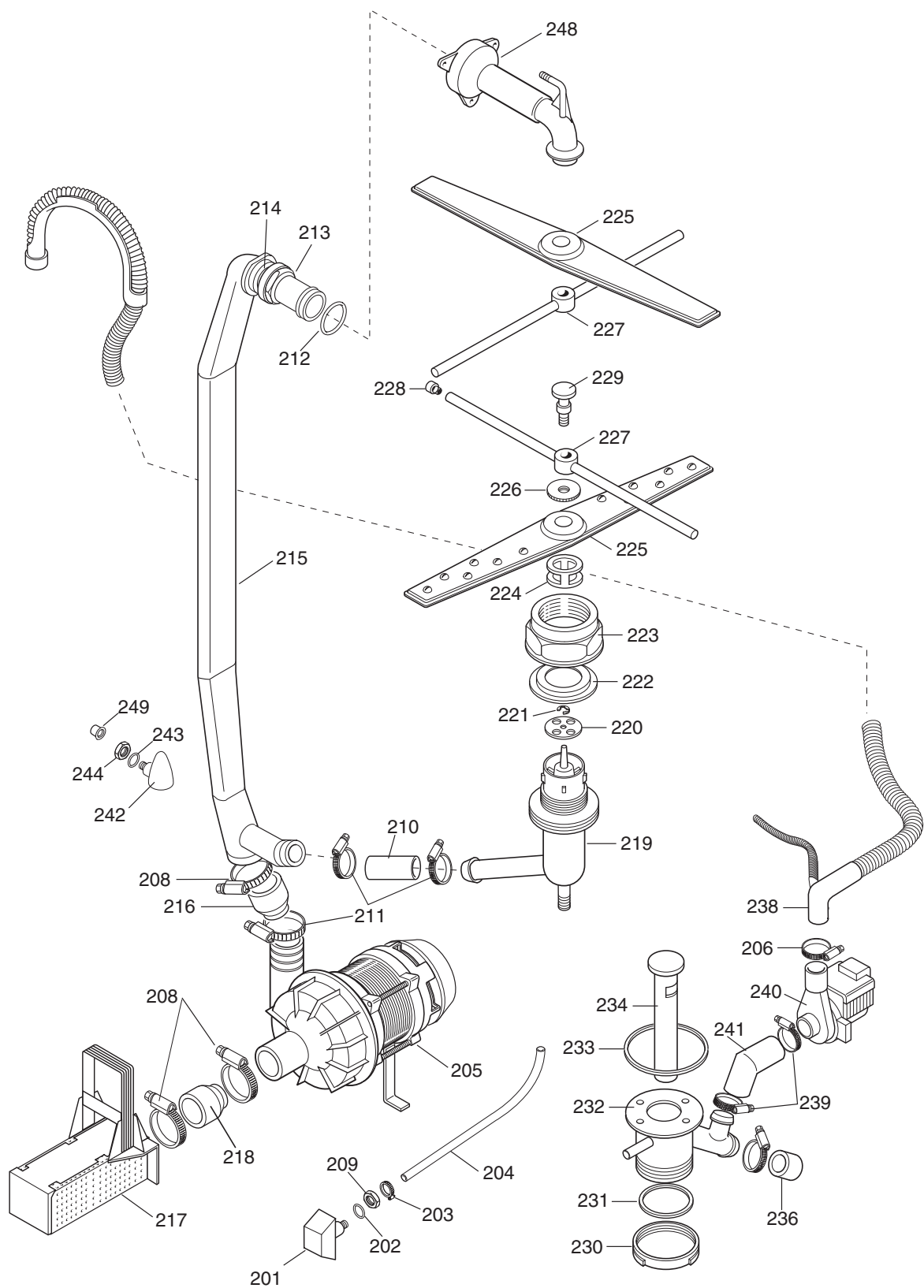
Code	Type	Ref.	Pagina/ Page
PRESSIONE			
505038	WT55P	a	2 3 5 6
505039	WT55P6	b	2 3 5 6
505044	WT55PM50	e	2 3 5 6
505045	WT55PM60	f	2 3 5 6
ATMOSFERICA			
505040	WT55AG	c	2 3 4 6
505042	WT55AG1	d	2 3 4 6
698028	HT900ADG1	g	2 3 4 6

Pagina/ Page	Indice/ index
2	Vista generale / Main view
3	Componenti idraulici / Hydraulic components
4	Circuito idraulico atmosferico / Atmospheric plumbing circuit
5	Circuito idraulico a pressione / Pressurized plumbing circuit
6	Componenti elettrici / Electrical components
7 - 12	Lista ricambi / Spare parts list

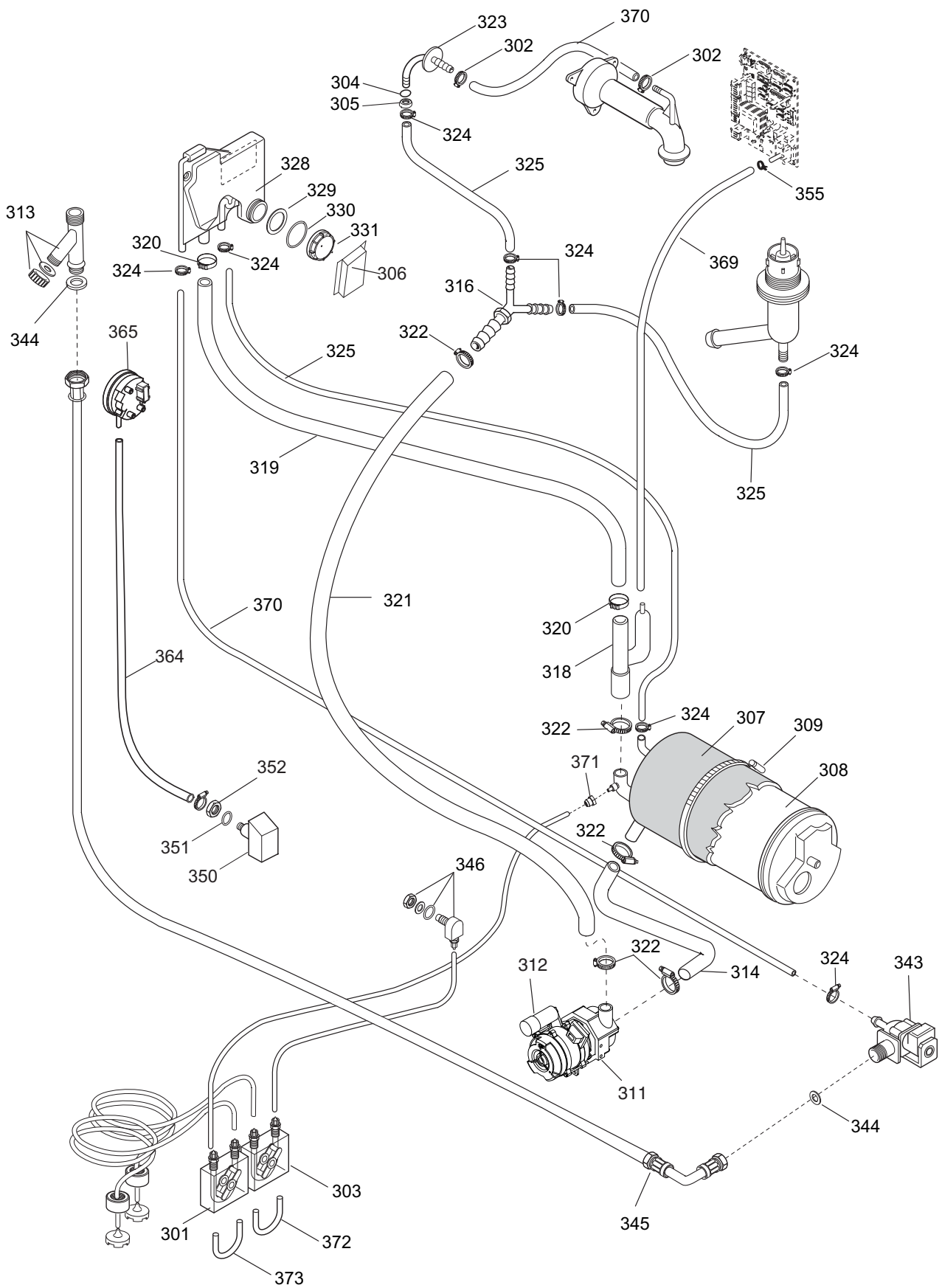
Marchio/ Brand: E
Paese/ Country: Tutti/ All



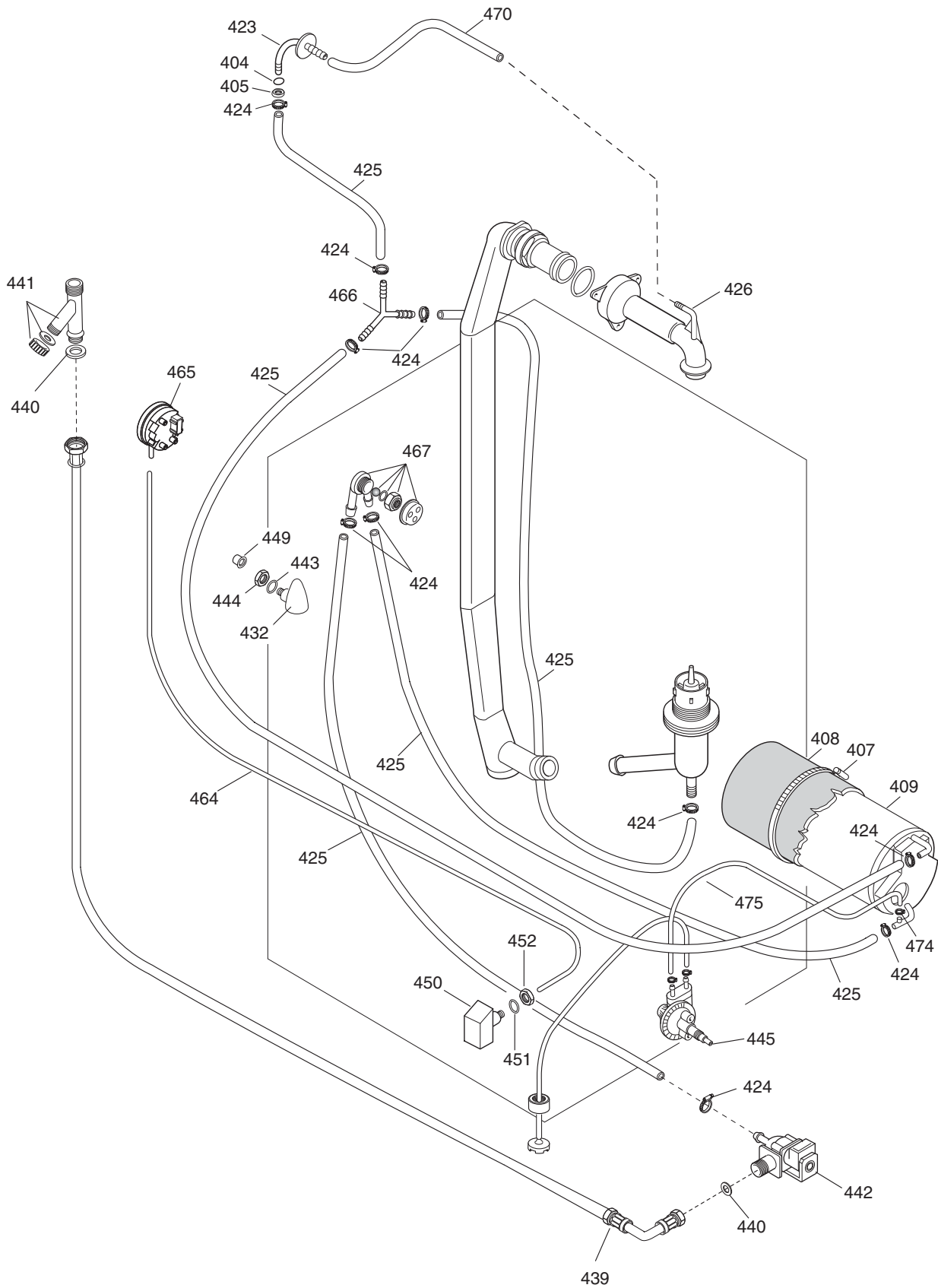
ill. 631802p2
 Vista generale / Main view



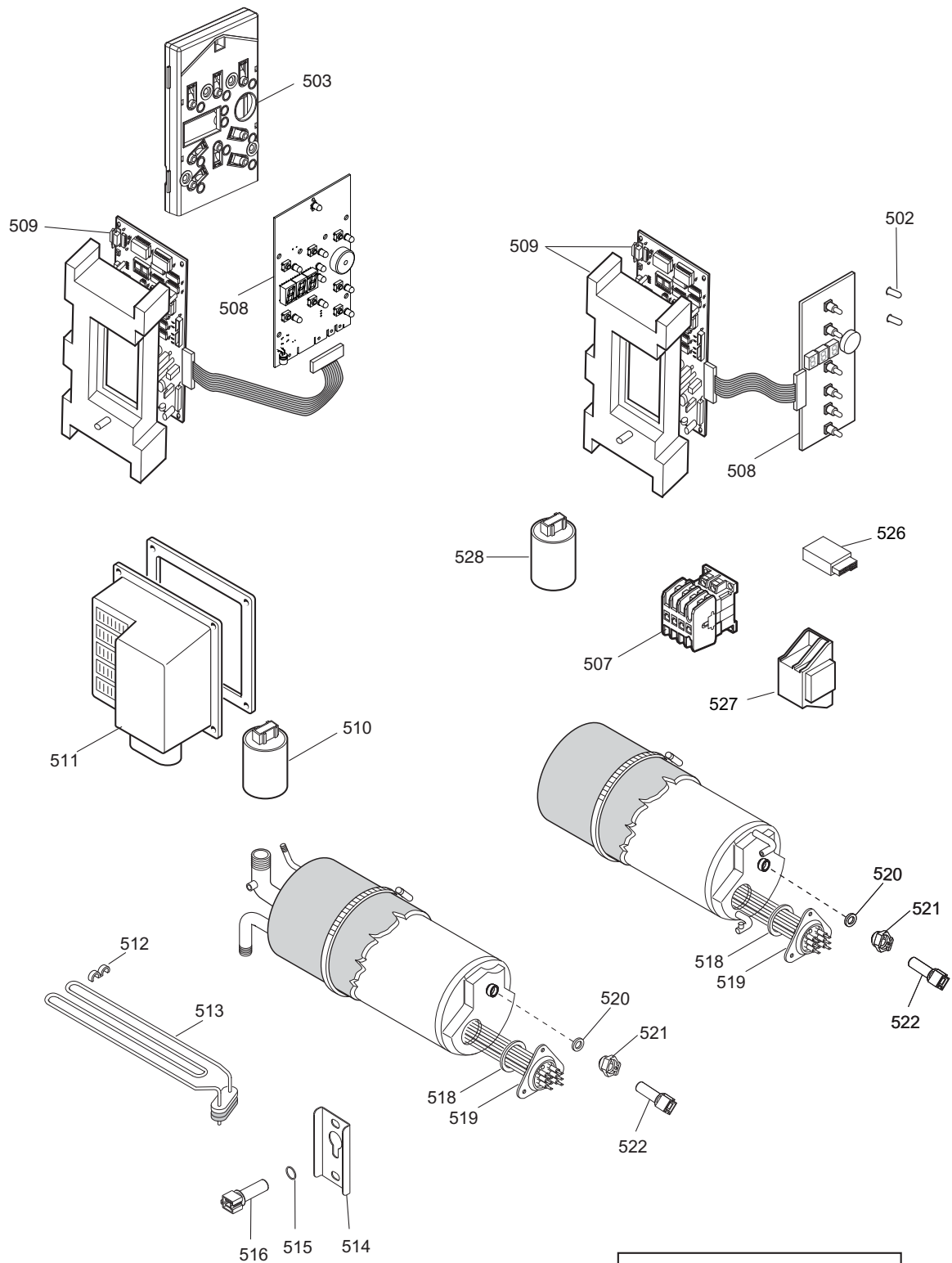
ill. 631802p3
Componenti idraulici / Hydraulic components



iii. 631002p4NEW
Circuito idraulico atmosferico / Atmospheric plumbing circuit



ill. 631802p5
Circuito idraulico a pressione / Pressurized plumbing circuit



* Cablaggio/Wiring hardness: 590

ill. 631802p6
Componenti elettrici / Electrical components

Da Ser.Nr./From Ser.nr.: /0242....

Page: 6 Ed.2008-02

Doc. Nr.: 6-31 802

LAVASTOVIGLIE CAPPOTTINA WT55				Grassetto = variazioni
HOOD TYPE DISHWASHER WT55				Bold Print = changes
Pos.	Cod.ric. Part No.	Descrizione	Description	Note / Notes
		Pagina 2: Vista generale	Page 2: Main view	ill. 631802p2
101	0L0015	Piede flangiato Marine	Marine flange foot	e,f - Up to Ser. Nr. 717
101	0L1452	Piede Marine	Marine foot	e,f - From Ser. Nr. 718
101	0L0016	Piede regolabile	Adjustable foot	not for "e,f"- Up to S.N. 712
101	048579	Piede regolabile	Adjustable foot	not for "e,f"- From S.N. 713
102	0L0062	Pannello laterale; dx	Side panel; right	
103	0L0063	Pannello laterale; sx	Side panel; left	
104	0L0089	Pannello frontale	Front panel	c
104	0L0089	Pannello frontale	Front panel	Not "c"- Up to Ser. Nr.: 813
104	0L1700	Pannello frontale	Front panel	Not "c"- From Ser. Nr.: 814
105	048932	Passacavo	Inlet cable	
106	049761	Boccola guida tendimolla	Bush	
107	0L0084	Guida Cappotta	Hood Rail	
108	0L0087	Membrana Adesiva	Stick membrane	c
108	0L0087	Membrana Adesiva	Stick membrane	d - Up to Ser. Nr.: 813
108	0L1674	Membrana Adesiva	Stick membrane	d - From Ser. Nr.: 814
108	0L0088	Membrana Adesiva	Stick membrane	a,b,e,f - Up to Ser. Nr.: 813
108	0L1674	Membrana Adesiva	Stick membrane	a,b,e,f - From Ser. Nr.: 814
108	0L1680	Membrana Adesiva	Stick membrane	g
109	0L0066	Copertura posteriore	Back cover	Up to ser. nr. : 305
109	0L0066	Copertura posteriore	Back cover	a,b,e,f - From ser. nr.: 306
109	0L0164	Copertura posteriore	Back cover	c,d,g - From ser. nr.: 306
110	049527	Gocciolatoio	Drip slide	
111	0L0090	Paracolpi	Shock absorber	
112	049627	Magnete grigio	Magnet	
113	0L0057	Molla cappotta	Hood spring	
114	049583	Tendimolla	Spring stretcher	
115	0L0099	Pattino di scorrimento	Slider	
116	049594	Supporto molla	Spring support	
117	0L1665	Adesivo Alpeninox	Sticker Alpeninox	g
118	0L1871	Sensore	Sensor	
120	0L0059	Blocco fine corsa	Lock	
131	0L0058	Guida maniglione	Guide; handle	
132	0L0055	Parte superiore supporto	Support upper part	
133	0L0056	Parte inferiore supporto	Support lower part	
134	0L0091	Vite	Screw	
135	0L0054	Maniglione	Handle	
136	0L0053	Cappotta	Hood	
138	0L0069	Filtro vasca	Tank filter	
142	049629	Guida cesto; compl.	Guide; compl.	
		Pagina 3: Componenti idraulici	Page 3: Hydraulic components	ill. 631802p3
201	048308	Trappola d'aria	Air trap	

LAVASTOVIGLIE CAPPOTTINA WT55				Grassetto = variazioni
HOOD TYPE DISHWASHER WT55				Bold Print = changes
Pos.	Cod.ric. Part No.	Descrizione	Description	Note / Notes
202	068642	OR 3062	O Ring 3062	
203	046946	Fascetta 8-12/7,5	Hose clamp 8-12/7,5	
204	048883	Tubo Gomma 5x12	Hose	
205	0L0060	Pompa Lavaggio	Wash pump	a,c,e - 50Hz - Up to Ser.nr.:429
205	0L0564	Pompa Lavaggio	Wash pump	a,c,e - 50Hz - From S.N. 430 Up to S.N.709
205	0L0600	Pompa Lavaggio	Wash pump	f - 60Hz
205	0L0092	Pompa Lavaggio	Wash pump	a,d,e,g - 50 Hz
205	0L0093	Pompa Lavaggio	Wash pump	b - 60Hz - Up to ser. nr.: 429
205	0L0565	Pompa Lavaggio	Wash pump	b - 60Hz - From S.N 430 Up toS.N.709
205	0L1413	Pompa lavaggio	Wash Pump	b - From S.N. 710
206	047578	Fascetta 25-40	Hose clamp 25-40	
208	046853	Fascetta 60-80	Hose clamp 60-80	
209	049268	Dado; M 14x1,5	Nut; M 14x1,5	
210	0L0558	Manicotto	Hose	Up to ser. nr.: 443
210	0L0612	Manicotto	Hose	From ser. nr.: 444
211	046855	Fascetta 50-70	Hose clamp 50-70	Up to Ser. nr.: 313
211	0L0193	Fascetta 40-60	Hose clamp 40-60	From Ser. nr.: 314
212	0L0185	O Ring	O Ring	
213	049596	Ghiera	Ring nut	Up to Ser. nr.: 425
213	0L0557	Ghiera	Ring nut	From Ser. nr.: 426
214	049593	O Ring 5,34x72,39	O Ring 5,34x72,39	
215	049595	Tubo collegamento getti	Pipe; jets connection	Up to Ser. nr.: 425
215	0L0556	Tubo collegamento getti	Pipe; jets connection	From Ser. nr.: 426
216	0L0068	Manicotto	Hose	
217	049810	Ass. filtro aspirazione	Suction filter	
218	0L0067	Manicotto	Hose	
219	048235	Supporto getti inferiore	Jets support; upper	
220	048820	Parzializzatore	Flow reducer	
221	048979	Anello seger	C-Clamp	
222	048236	Guarnizione	Gasket	
223	048237	Ghiera	Ring nut	
224	048401	Mozzo	Hub	
225	0L0598	Ass.getto lavaggio	Washing arm assembly	
226	048632	Rondella di fermo	Lock washer	
227	048716	Getto risciacquo	Rinse jet	
228	048714	Tappo	Plug	
229	048290	Perno; per getti risciacquo	Pin; for rinse jets	
230	048231	Tappo	Plug	
231	048230	Guarnizione	Gasket	
232	0L0081	Supporto scarico	Support; drain	
233	048229	Guarnizione	Gasket	
234	049140	Tubo troppo pieno	Overflow pipe	c,d,g
234	048250	Tubo troppo pieno	Overflow pipe	a,b,e,f

LAVASTOVIGLIE CAPPOTTINA WT55 HOOD TYPE DISHWASHER WT55				Grassetto = variazioni Bold Print = changes
Pos.	Cod.ric. Part No.	Descrizione	Description	Note / Notes
236	047555	Tappo	Plug	c,d,g
238	049831	Tubo pompa di scarico	Dain pump pipe	c,d,g
239	046878	Fascetta 35-50	Hose clamp 35-50	c,d,g
240	048844	Pompa di scarico	Dain pump	c,d,g - Up to ser. nr. 518
240	0L0690	Pompa di scarico	Dain pump	c,d,g - From ser. nr. 519
241	048328	Manicotto	Hose	c,d,g
242	048853	Nasello per vasca	Spigot for tank	
243	068642	OR 3062	O Ring 3062	
244	049268	Dado; M 14x1,5	Nut; M 14x1,5	
248	0L0051	Supporto getti superiore	Jets support; upper	
249	049849	Tappo	Plug	
		Pagina 4: Circuito idraulico atmosferico	Page 4: Atmospheric plumbing circuit	ill. 631002p4NEW (not for "a,b,e,f")
301	049625	Pompa perist. Brillantante	Pump; rinse aid	Up to ser. nr. 521
301	0L0697	Pompa perist. Brillantante	Pump; rinse aid	From ser. nr. 522
302	049888	Fascetta	Hose clamp	
303	049624	Pompa perist. Detergente	Pump; detergent	Up to ser. nr. 521
303	0L0696	Pompa perist. Detergente	Pump; detergent	From ser. nr. 522
304	046799	O Ring	O Ring	
305	049436	Dado; M20x1,5	Nut; M20x1,5	
306	049847	Protezione ghiera	Guard ring nut	
307	048447	Coibentazione per boiler	Insulation; for boiler	
308	049987	Boiler atmosferico	Boiler	Up to ser. nr. 322
308	0L0346	Boiler atmosferico	Boiler	From ser. nr. 323
309	048222	Fascetta 210-230/12	Hose clamp 210-230/12	
311	049310	Pompa risc.	Rinse pump	50Hz - Up to ser. nr.: 607
311	0L1079	Pompa risc.	Rinse pump	50Hz - From ser. nr.: 608
312	083406	Condensatore per pompa risc.	Rinse pump capacitor	5.0 µF
313	048746	Filtro	Filter	
314	049599	Tubo	Hose	
316	049289	Raccordo 3 vie; D 27-12	Connection 3 ways; D 27-12	Up to ser. nr.: 327
316	0L0365	Raccordo 3 vie; D 27-12	Connection 3 ways; D 27-12	From ser. nr.: 328
318	049628	Trappola D'aria; boiler	Air trap; boiler	
319	049287	Tubo EPDM 25.5x32	Hose; diam 25	
320	049772	Fascetta Elastica	Hose clamp	Up to ser. nr.: 327
320	0L0367	Fascetta Cobra	Hose clamp	From ser. nr.: 328
321	049773	Tubo 26x37	Hose	
322	047578	Fascetta 25-40	Hose clamp 25-40	
323	0L0052	Raccordo portagomma	Connection	
324	048126	Fascetta a vite 12 -22	Hose clamp 12 -22	
325	048531	Tubo EPDM 12x19.5	Hose	
328	049481	Air Gap	Air gap	
329	049828	Guarnizione per AG	Gasket for AG	
330	049460	OR per Ghiera AG	O Ring	

LAVASTOVIGLIE CAPPOTTINA WT55				Grassetto = variazioni
HOOD TYPE DISHWASHER WT55				Bold Print = changes
Pos.	Cod.ric. Part No.	Descrizione	Description	Note / Notes
331	049480	Ghiera per A.G.	Ring nut	
343	049452	Elettrovalvola, 5,5 l/min	El.valve; 5,5 l/min	Up to ser. nr.: 429
343	0L0567	Elettrovalvola, 5,5 l/min	El.valve; 5,5 l/min	From ser. nr.: 430
344	049201	Guarnizione	Gasket; diam 3/4	
345	049378	Tubo di alimentazione	Feeder pipe	
346	049801	Iniettore detersivo, acciaio	Injection spigot. steel	
350	048308	Trappola d'aria	Air trap	
351	068642	O Ring	O Ring	
352	049268	Dado; M14x1,5	Nut; M14x1,5	
355	0L0082	Fascetta elastica	Hose clamp	
364	048883	Tubo 5x12	Hose 5x12	
365	049620	Presostato	Pressure switch	
369	072393	Tubo EPDM 4x7.4	Hose	
370	049379	Tubo gom. 11.5X19.5 WRC	Hose; WRC	
371	0L0349	Assieme tappo	Plug assembly	
372	049419	Tubo; interno, pompa det.	Hose; internal, det. Pump	
373	049418	Tubo; interno, pompa brill.	Hose;internal, rin. aid pump	
		Pagina 5: Circuito idraulico a pressione	Page 5: Pressurized plumbing circuit	ill. 631802p5 only for "a,b,e,f"
404	046799	O Ring	O Ring	
405	049436	Dado; M20x1,5	Nut; M20x1,5	
407	048222	Fascetta 210-230/12	Hose clamp 210-230/12	
408	048447	Coibentazione per boiler	Insulation; for boiler	
409	0L0023	Boiler a pressione	Boiler	Up to ser. nr.: 317
409	0L0284	Boiler a pressione	Boiler	From ser. nr.: 318
423	0L0052	Raccordo portagomma	Connection	
424	048126	Fascetta a vite 12 -22	Hose clamp 12 -22	
425	048531	Tubo EPDM 12x19.5	Hose	
426	0L0051	Supporto getti superiore	Jets support; upper	
432	048853	Nasello per vasca	Spigot for tank	
439	048816	Tubo di alimentazione	Feeder pipe	
440	046925	Guarnizione	Gasket; diam 3/4	
441	048746	Filtro	Filter	Up to ser. nr.: 429
441	048834	Filtro	Filter	From ser. nr.: 430
442	048817	Elettrovalvola Press.; 20 l/min	El.valve; 20 l/min	Up to ser. nr.: 429
442	0L0566	Elettrovalvola, 20 l/min	El.valve; 20 l/min	From ser. nr.: 430
443	068642	OR 3062	O Ring 3062	
444	049268	Dado; M 14x1,5	Nut; M 14x1,5	
445	0L0094	Dosatore idraulico	Dispenser; for rinse aid	
449	049849	Tappo	Plug	
450	048308	Trappola d'aria per pressost.	Air trap	
451	068642	OR 2062x15.54	O Ring	
452	049268	Dado M14x1.5	Nut; M14x1,5	
464	048883	Tubo 5x12	Hose 5x12	

LAVASTOVIGLIE CAPPOTTINA WT55 HOOD TYPE DISHWASHER WT55				Grassetto = variazioni Bold Print = changes
Pos.	Cod.ric. Part No.	Descrizione	Description	Note / Notes
465	049620	Pressostato	Pressure switch	
466	048195	Raccordo 3 vie	Connection 3 way; diam 12	
467	049332	Valvola DVGW	Solenoid valve	
470	049379	Tubo gom. 11.5X19.5 WRC	Hose; WRC	
474	046946	Fasc. Torro W2 8-12/7,5 IVP	Hose clamp 8-12	
475	048883	Tubo gomma 5X12	Hose; 5x12	
		Pagina 6: Componenti elettrici	Page 6: Electrical components	ill. 631802p6
502	002670	Prolunga pulsante	Extension	c
502	002670	Prolunga pulsante	Extension	Not for "c" - Up to ser. nr.: 813
503	0L1568	Copertura interfaccia utente	User interface cover	From ser. Nr.: 814
507	048825	Contattore 230V-50Hz	Contactor; 230V- 50Hz	a,d,e,g - Up to ser. nr.: 317
507	0L0285	Contattore 230V-50Hz	Contactor; 230V- 50Hz	a,d,e,g - From ser. nr.: 318
507	048736	Contattore 230V-60Hz	Contactor; 230V- 60Hz	b,f - 60 Hz Up to ser. nr.: 317
507	0L0286	Contattore 230V-60Hz	Contactor; 230V- 60Hz	b,f - 60 Hz - From S.N.: 318
508	0L0061	Interfaccia utente	User Interface	Up to ser. nr.: 421
508	0L0550	Interfaccia utente	User Interface	From ser. nr.: 422 Up to ser. nr.: 523
508	0L0710	Interfaccia utente	User Interface	From ser. nr.: 524 Up to ser. nr.: 622
508	0L1235	Interfaccia utente	User Interface	c - From ser. nr.: 623
508	0L1235	Interfaccia utente	User Interface	Not for "c" - From ser. nr.: 623 Up to Ser. Nr.: 813
508	0L1566	Interfaccia utente	User Interface	Not for "c" - From ser. nr.: 814
509	0L0045	Scheda madre	Main board	Up to ser. nr.: 421
509	0L0541	Scheda madre	Main board	From ser. nr.: 422 Up to ser. nr.: 523
509	0L0705	Scheda madre	Main board	From ser. nr.: 524 Up to Ser. Nr. 709
509	0L1412	Scheda madre	Main board	From Ser. Nr. 710 Up to Ser. Nr.: 820
509	0L1811	Scheda madre	Main board	From Ser. Nr.: 821
510	049303	Filtro RFI trifase	RFI filter; three phase	
511	049618	Morsettiera Princ.	Junction box	Up to Ser.nr.: 244
511	0L0111	Morsettiera Princ.	Junction box	From Ser.nr.: 245
512	048429	Fissaggio Res. Vasca	Bracket	
513	048491	Res. Vasca 3kW-230V	Heating element; 3kW-230V	not for "e,f" Up to Ser. Nr.: 820
513	0L1870	Res. Vasca 3kW-230V	Heating element; 3kW-230V	not for "e,f" From Ser. Nr.: 821
513	0L0010	Res. Vasca 3kW-400V	Heating element; 3kW-400V	e
513	0L0162	Res. Vasca 3kW-440V	Heating element; 3kW-440V	f
514	049580	Supporto sensore temp.	Support; sensor	Up to ser. nr.: 327
514	0L0366	Supporto sensore temp.	Support; sensor	From ser. nr.: 328
515	046376	OR 2037	O Ring	

LAVASTOVIGLIE CAPPOTTINA WT55 HOOD TYPE DISHWASHER WT55				Grassetto = variazioni Bold Print = changes
Pos.	Cod.ric. Part No.	Descrizione	Description	Note / Notes
516	049643	Sensore NTC	Sensor	
518	0E5037	OR 56,52x5,33	O Ring 56,52x5,33	
519	049992	Resistenza boiler 9 kW 230V	Boiler heating element 9 kW 230V	a,b,c,e - Up to Ser. Nr.: 820
519	0L1630	Resistenza boiler 9 kW 230V	Boiler heating element 9 kW 230V	a,b,c,e - From Ser. Nr.: 821
519	049992	Resistenza boiler 9 kW 230V	Boiler heating element 9 kW 230V	d,g - Up to Ser. Nr.: 750
519	0L1630	Resistenza boiler 9 kW 230V	Boiler heating element 9 kW 230V	d,g - From ser. nr.: 751
519	0L0601	Resistenza boiler 9 kW 254V	Boiler heating element 9 kW 254V	f
520	067898	OR 2025-1,78X6,07	O Ring	c,d,g - Up to ser. nr.: 322
520	046376	OR 2037	O Ring	c,d,g - From ser. nr.: 323
520	067898	OR 2025-1,78X6,07	O Ring	a,b - Up to ser. nr.: 317
520	046376	OR 2037	O Ring	a,b - From ser. nr.: 318
521	067899	Premistoppa	Stuffing box	c,d,g -Up to ser. nr.: 322
521	0L0280	Premistoppa	Stuffing box	c,d,g - From ser. nr.: 323
521	067899	Premistoppa	Stuffing box	a,b - Up to ser. nr.: 317
521	0L0280	Premistoppa	Stuffing box	a,b - From ser. nr.: 318
522	049884	Sonda di Temperatura	Temp. sound	c,d,g - Up to ser. nr.: 322
522	049643	Sonda di Temperatura	Temp. sound	c,d,g - From ser. nr.: 323
522	049884	Sonda di Temperatura	Temp. sound	a,b - Up to ser. nr.: 317
522	049643	Sonda di Temperatura	Temp. sound	a,b - From ser. nr.: 318
526	048888	Rele; 230V,2 cont, passo 5	Relay; 230V,2 cont, passo 5	e,f
527	049883	Trasformatore	Transformer	e,f
528	049901	Filtro induttivo	Filter	a,d,e,b,f,g - From S.N.: 710
590	0L0466	Cablaggio	Wiring harness	not for "e,f" - Up to S.N. 709
590	0L1414	Cablaggio	Wiring harness	not for "e,f" - From S.N. 710
590	0L0468	Cablaggio (versione marine)	Wiring harness (marine version)	e,f