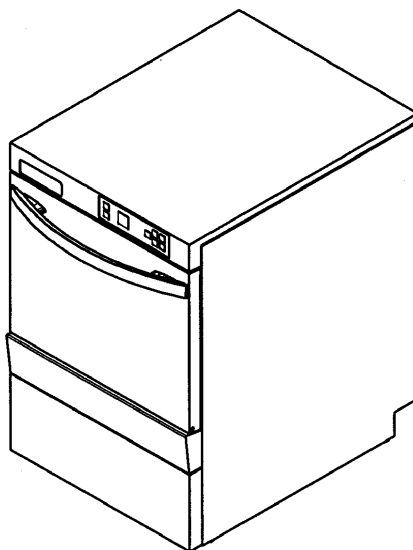
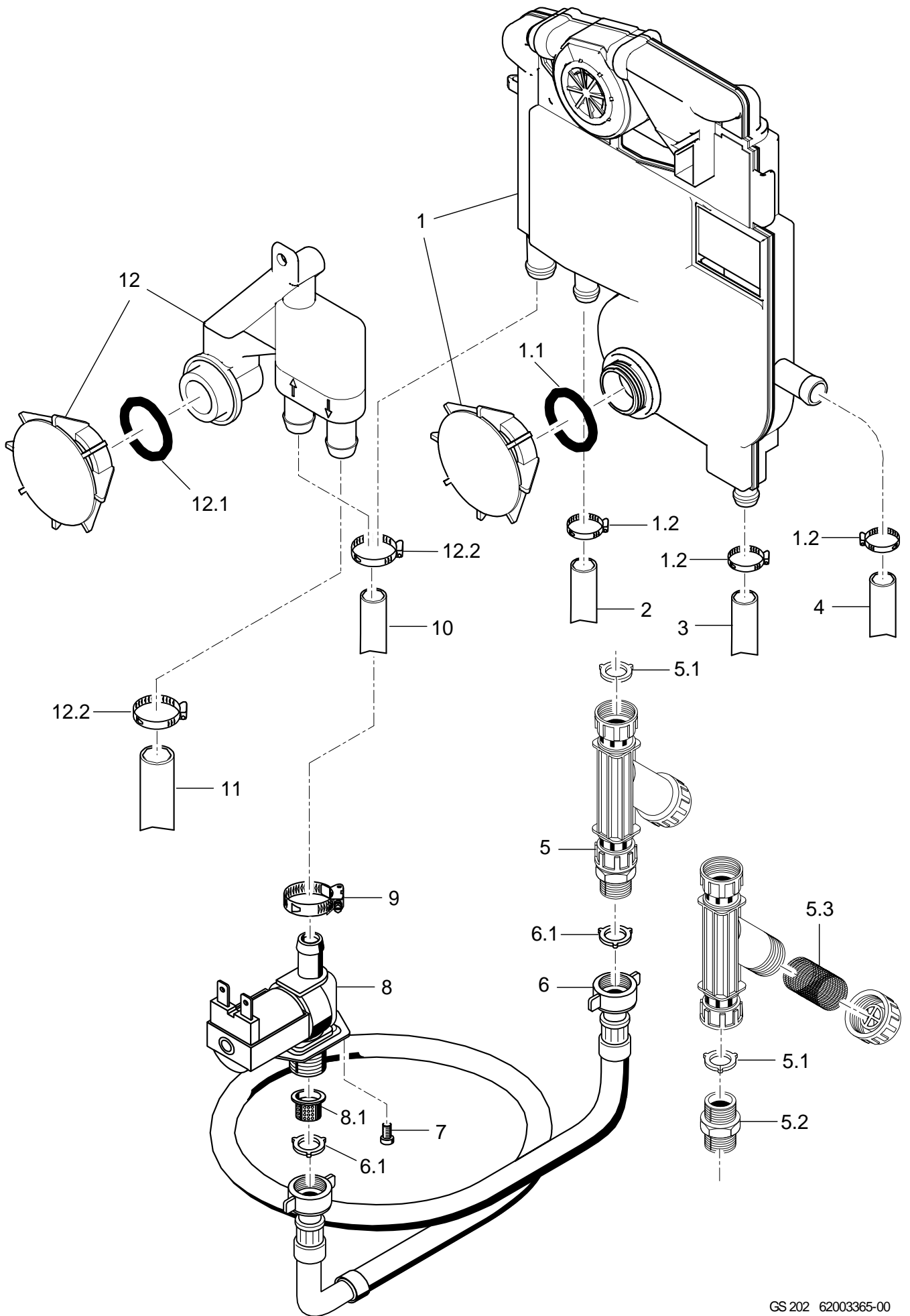


Spare parts list GS 202 - GS 402



Contents

Water inlet		Page 1 - 2
Water softener		Page 3 - 4
Water drainage, Mediamat Cyclo		Page 5 - 6
Wash pump		Page 7 - 8
Bottom washing/rinsing system		Page 9 - 10
Rinse system top		Page 11 - 12
Top washing/rinsing system	GS 402	Page 13 - 14
Pressure boiler		Page 15 - 16
Pressure-independent boiler		Page 17 - 18
Dosage		Page 19 - 20
Chassis, container and panelling		Page 21 - 22
Door		Page 23 - 24
Electrical parts		Page 25 - 26

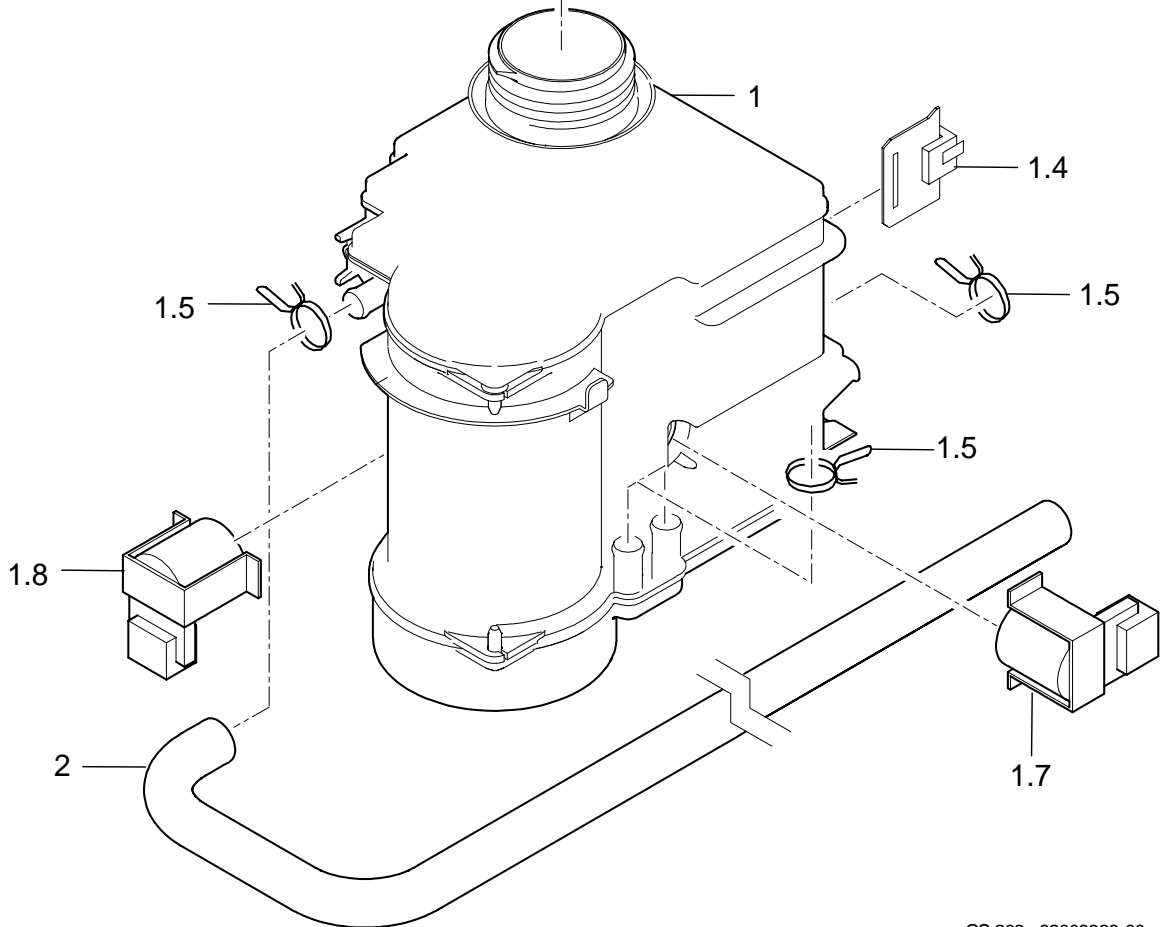
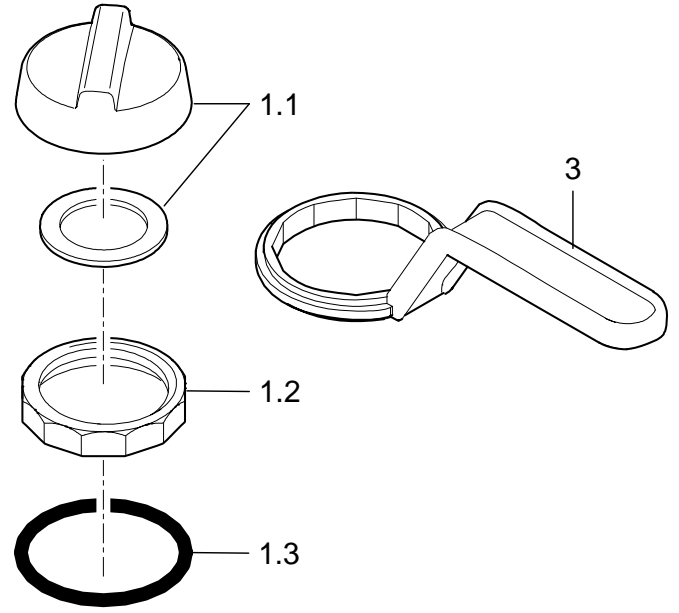
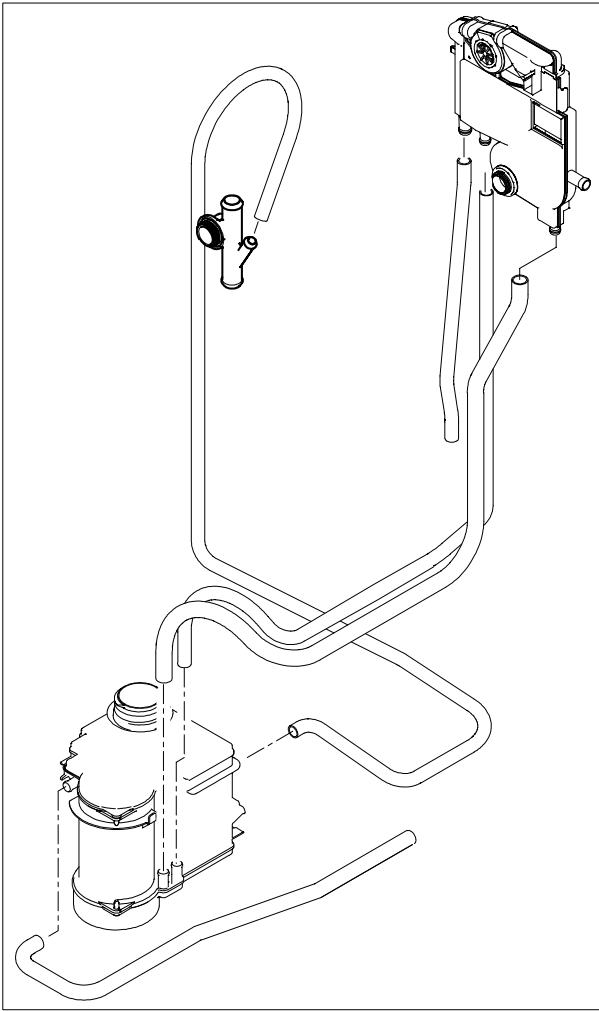


GS 202 62003365-00

GS 202 - GS 402

Water inlet

Item.	Designation	Parts no.:	Pc.	Notes
1	WSE with impeller counter kit	60003512		Pressure-independent boiler
1.1	O-ring; 24 X 3	27 07 066		
1.2	Hose clip; D14-24 X 9	28 02 108	4	
2	Hose; DN10 X 1,0	40 01 050		785 mm; Metre item; Regeneration water softener
3	Hose; DN10 X 1,0	40 01 050		680mm; to built-in water softener
3	Shaped hose; DN10 X DN12 X 3,5	62003090		to pressure-independent boiler
4	Shaped hose; DN12,5 X 3,5	62003105		Deaeration; Pressure-independent boiler
5	Dirt catcher cpl.	80002153		
5.1	Gasket; D16 X D24 X 3,0	80002241	3	
5.2	Double nipple; G 3/4" X 40; SW30	80002167		
5.3	Strainer cpl.; D27 X 67	80002728		
6	Hose WRC tested; DN13 X 3,5; 2500	40 02 005		
6.1	Gasket; D16 X D24 X 3,0	80002241	2	
7	Pan head screw; M4 X 8	20 10 309	2	
8.1	Solenoid valve filter	31 06 186		
8	Solenoid valve flow restrictor 15l; 230-240V 50/60HZ RAST5	31 06 214		Pressure boiler
8	Solenoid valve flow restrictor 5l; 230-240V 50/60HZ RAST5	31 06 215		Pressure-independent boiler
8	Solenoid valve flow restrictor 15l; 200-208V 50/60HZ RAST5	31 06 212		Pressure boiler
8	Solenoid valve flow restrictor 5l; 200-208V 50/60HZ RAST5	31 06 213		Pressure-independent boiler
9	Hose clip; D12-22 X 9	28 02 105		
10	Reinforced hose; DN13 X 3,5	40 02 002		515 mm; Metre item
10	Reinforced hose WRC; DN13 X 3,5	40 02 029		515 mm; UK; Australia
11	Reinforced hose; DN13 X 3,5	40 02 002		405 mm; Metre item
11	Reinforced hose WRC; DN13 X 3,5	40 02 029		405 mm; UK; Australia
12	Backflow preventor kit	60003510		Pressure boiler
12.1	O-ring; 24 X 3	27 07 066		
12.2	Hose clip; D14-24 X 9	28 02 108	2	

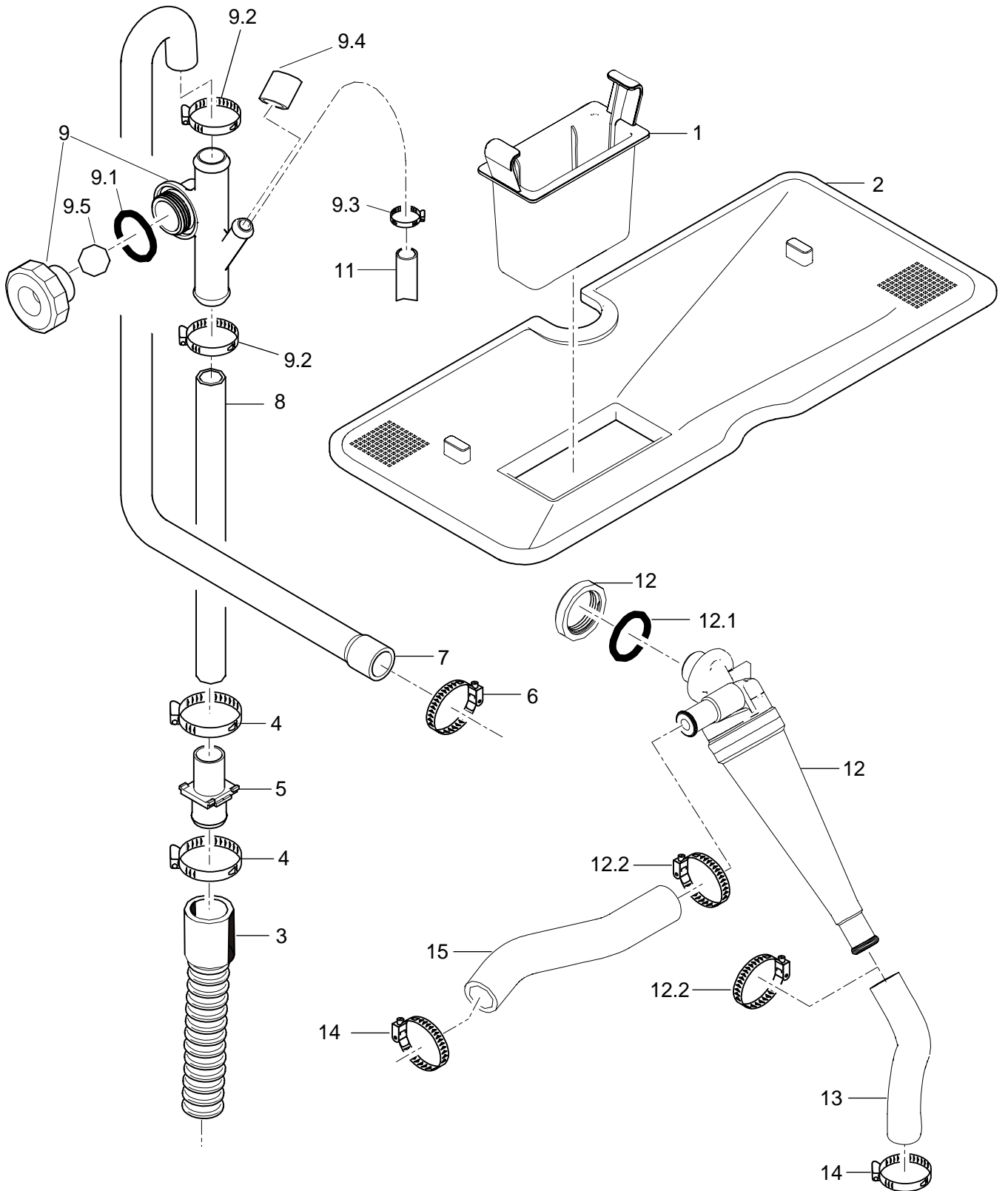


GS 202 62003366-00

GS 202 - GS 402

Water softener

Item.	Designation	Parts no.:	Pc.	Notes
1	Water softener kit; 220-240V; 50/60HZ	83000420		
1	Water softener kit; 200-210V; 50/60HZ	83000421		
1.1	Cover, complete, with seal	83000407		
1.2	Lock nut; S54 X 4; D56	60003001		
1.3	O-ring; 54 X 5	27 07 065		
1.4	Dry reed contact lack of salt	83000408		
1.5	Wire hose clamp; D14,4 - 15,1	28 02 344	4	
1.7	Repair kit regeneration valve; 220-240V,50/60HZ	83000402		
1.8	Repair kit reversing valve; 220-240V,50/60HZ	83000403		
2	Shaped hose; DN10 X DN12,5 X 2,0	62003098		
3	Double hex ring spanner; SW61,5	60003376		
o.P.	Filling funnel	35 02 013		extras

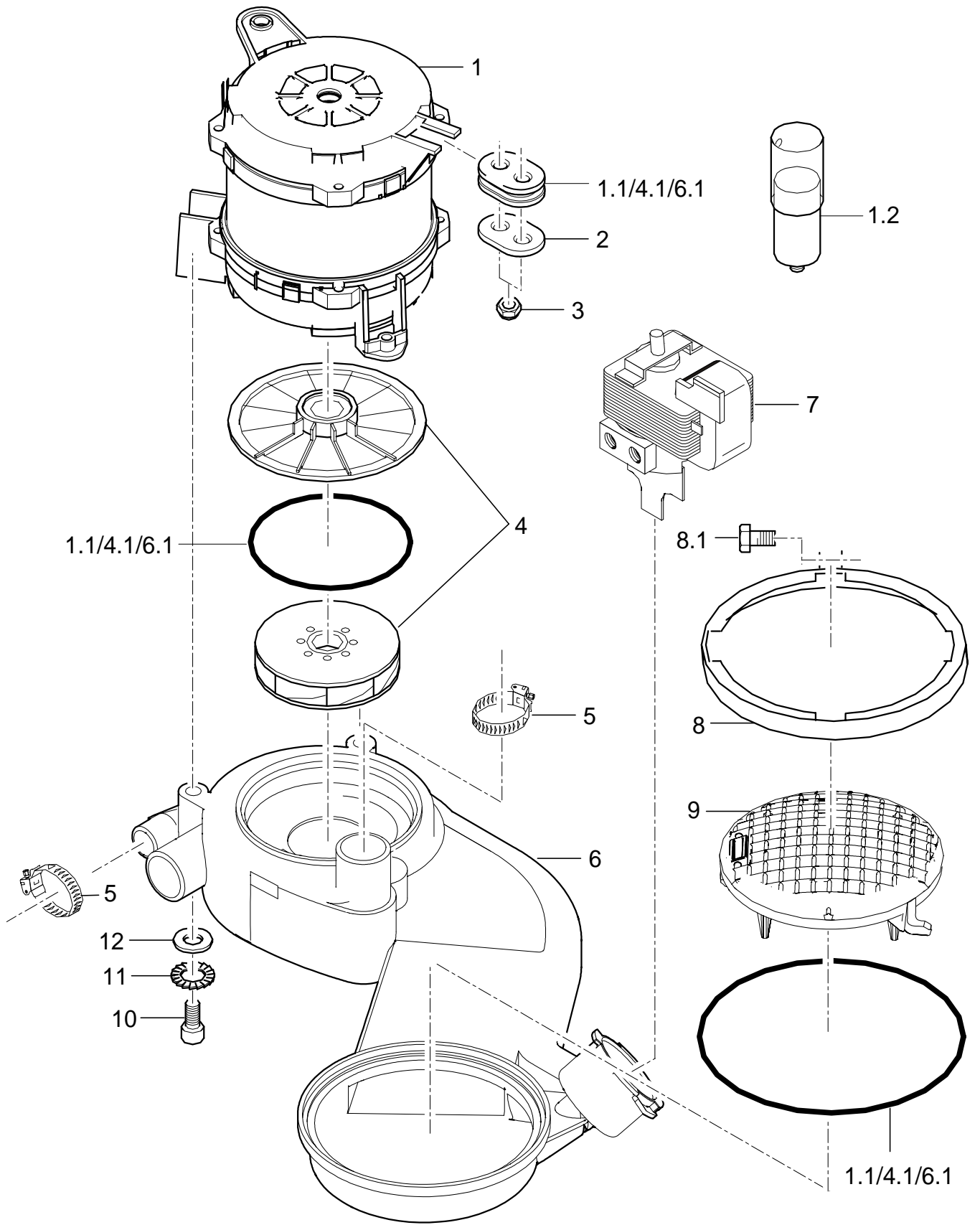


GS 202 62003367-01

GS 202 - GS 402

Water drainage, Mediamat Cyclo

Item.	Designation	Parts no.:	Pc.	Notes
1	Filter cartridge cpl.	60003039		
2	Flat filter; 30 X 202 X 436	62003282		
3	Spiral hose; NW18,5 X 1500	40 01 045		
4	Hose clip; D20-30 X 12	28 02 109		
5	Double nipple; D21,80 X 49; D19	60003399		
6	Hose clip; D20-30 X 12	28 02 109		
7	Shaped hose; DN18 X DN22 X 3,5	62003108		
8	Reinforced hose; DN19,4 X 3,5	40 01 016		495mm; Metre item
9	Deaeration kit	60003514		
9.1	O-ring; 24 X 3	27 07 066		
9.2	Hose clip; D20-30 X 12	28 02 109	2	
9.3	Hose clip; D10-16 X 9	28 02 307		
9.4	Round cap; D11 X 20	35 03 029		
9.5	Ball; D14	28 01 508		
11	Reinforced hose; DN10 X 3,5	40 02 030		840 mm; Metre item
12	Mediamat Cyclo kit	60003513		GS 402
12.1	O-ring; 17 X 3	27 07 068		
12.2	Hose clip; D14-24 X 9	28 02 108	2	
13	Shaped hose; DN12,5 X 2,0; 115	62003409		GS 402
14	Hose clip; D12-22 X 9	28 02 105		GS 402
15	Shaped hose; DN12 X 3,5; 141	60003713		GS 402

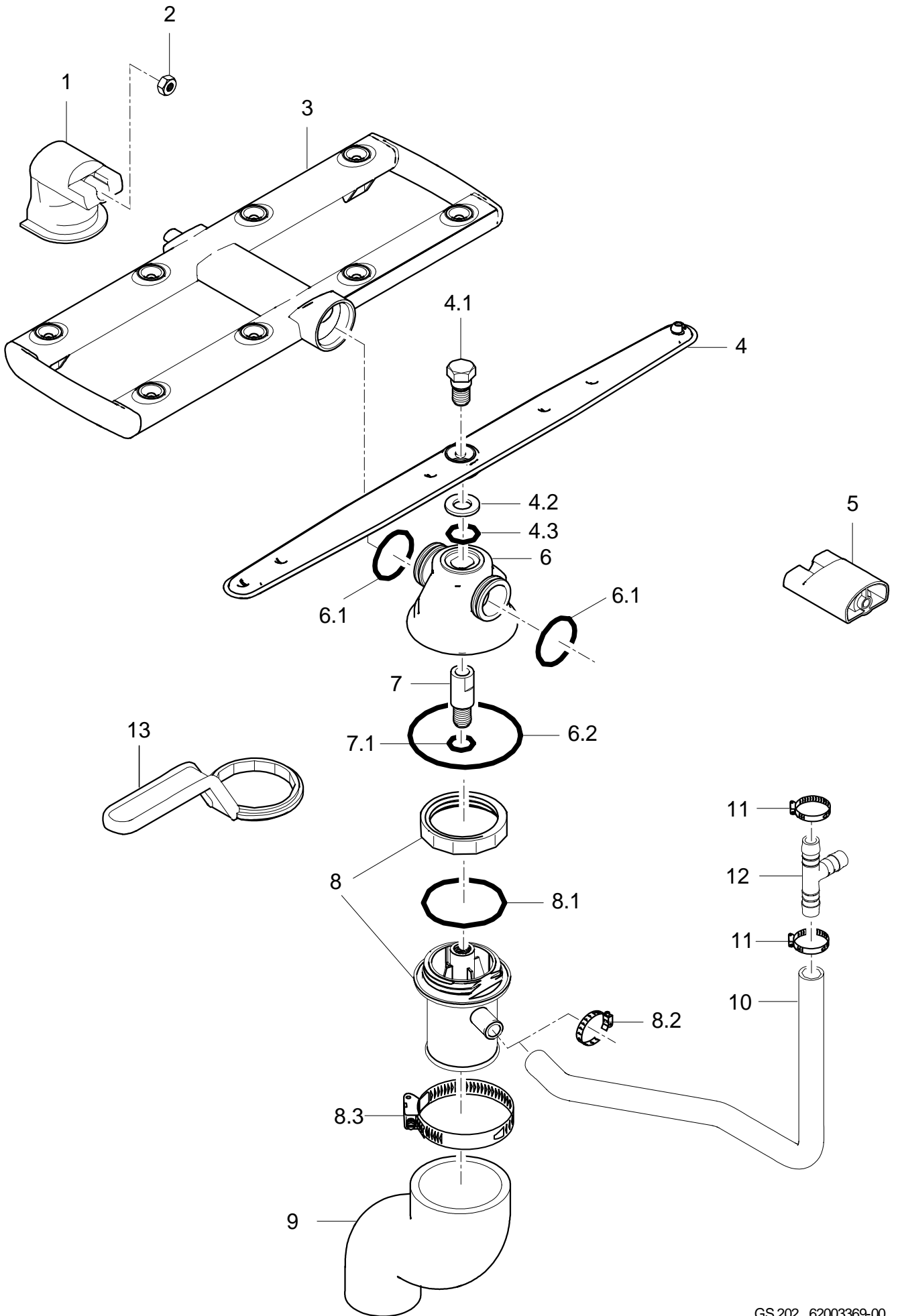


GS 202 62003368-00

GS 202 - GS 402

Wash pump

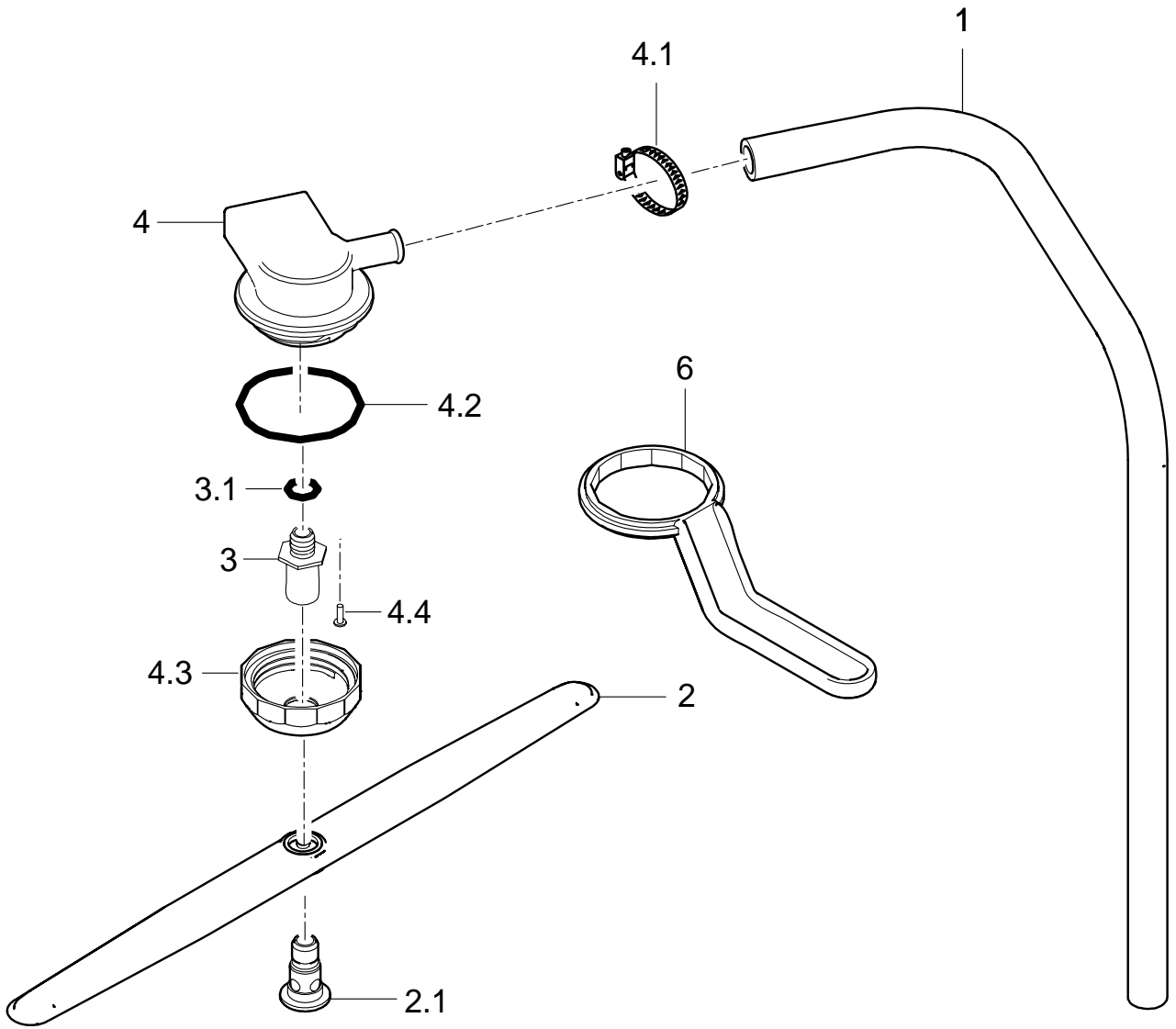
Item.	Designation	Parts no.:	Pc.	Notes
1	Pump motor kit; 230-240V/50HZ	60003595		we recommend ordering the set of pump running wheels, as well, when the motor is replaced
1	Pump motor kit; 200V/50-60HZ	60003596		we recommend ordering the set of pump running wheels, as well, when the motor is replaced
1.1	Sealing for pump system kit	60003591		
1.2	Capacitor; 10YF 400V; D35 X 80	31 13 120		
1.2	Capacitor; 12YF 400V;	31 13 122		Japan
2	Spacer washer; 1,25 X 18 X 28	60003298	2	
3	Hexagonal nut; M5 SELBSTSICHERND	21 05 302	4	
4	Impeller with sealings kit; D75	60003593		50 Hz
4	Impeller with sealings kit; D66	60003594		60 Hz
4.1	Sealing for pump system kit	60003591		
5	Hose clip; D32-52 X 12	28 02 110	2	GS 402
6	Collector kit; WASCHSYSTEM UNTEN	60003597		
6	Collector; WASCHSYSTEM UNT.+OBEN	60003620		GS 402
6.1	Sealing for pump system kit	60003591		
7	Drain pump; 220-240V/50HZ	31 02 480		
7	Drain pump; 200V/50HZ;220-240V/60H	31 02 493		
7	Drain pump; 200V/60HZ	31 02 495		
8	Pump clip	62003437		
8.1	Slotted hexagon bolt; M5 X 40	20 01 324		
9	Filter insert	60003259		
10	Cylinder head screw; M5 X 20; 8,8	20 09 337	3	
11	Serrated lock washer; A-5,3	22 02 316	3	
12	Washer; D5,3 X D10 X 1,0	22 01 305	3	
o.P.	Assembly device, complete	60003450		Tool for exchanging drain pot



GS 202 - GS 402

Bottom washing/rinsing system

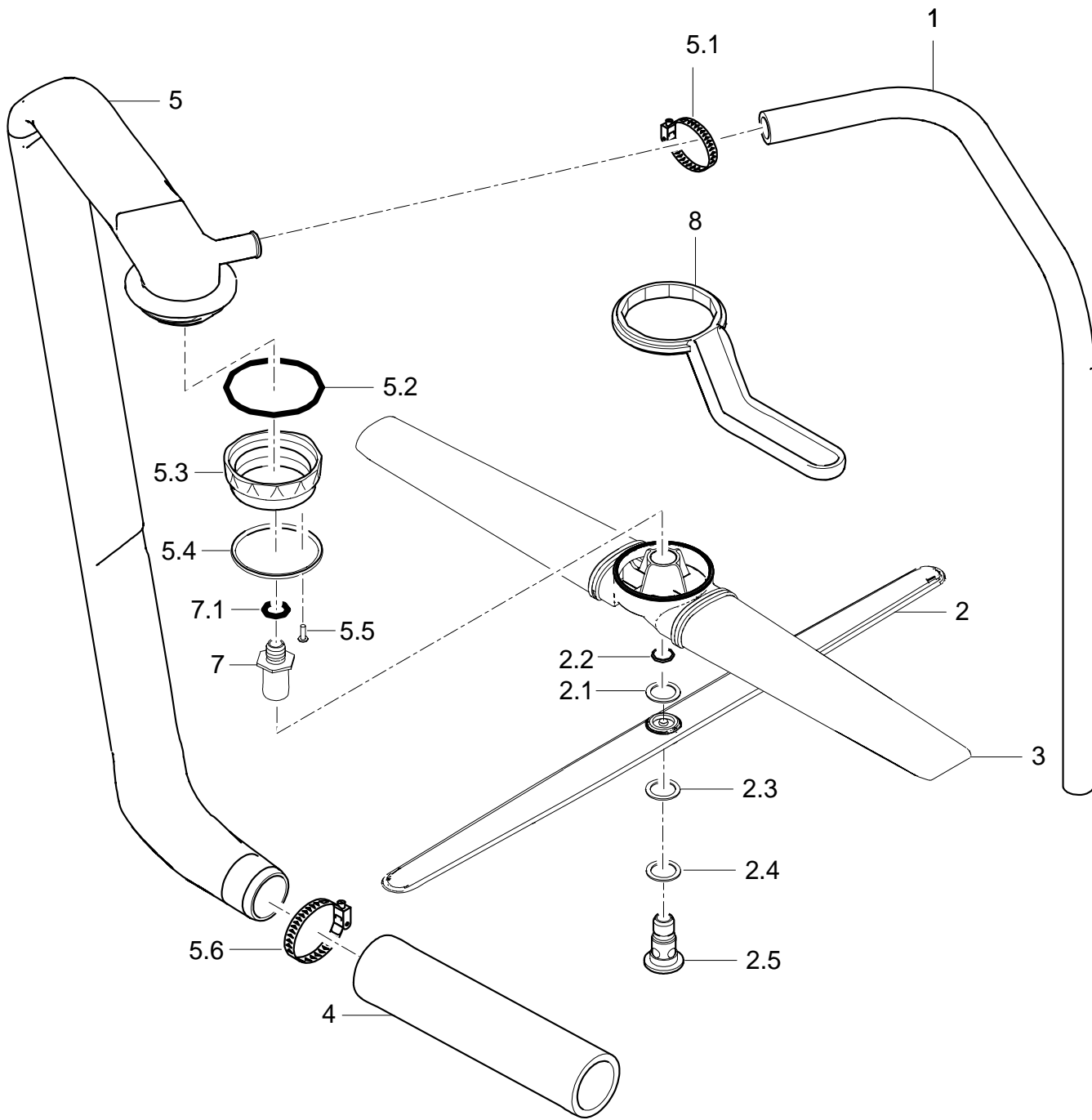
Item.	Designation	Parts no.:	Pc.	Notes
1	Wash unit support; 70,70 LG	62003287		
2	Self-locking nut with serrated surface; M5	21 01 310	2	
3	Wash unit cpl.; 8 DÜSEN; 348 LG	62003015	2	
4	Revolving rinse arm kit	62003347		
4.1	Revolving arm screw; M12 X 30; SW20	60003045		
4.2	Washer; D12,5 X D24 X 2,5	60003386		
4.3	O-ring; 10 X 2,5	27 07 030		
5	Wash unit support; 33,67 LG	62003020	1	
6	Distributor top kit	62003406		
6	Distributor top kit	60003516		GS 402
6.1	O-ring; 28 X 2,5	27 07 067	2	
6.2	O-ring; 66 X 2,5	27 07 011		
7	Revolving rinse arm spindle; D16 X 44,5; M12	60003043		
8	Distributor bottom kit	62003345		
8	Distributor bottom kit	62003534		GS 402
8.1	O-ring; 56 X 3	27 07 064		
8.2	Hose clip; D14-24 X 9	28 02 108		
8.3	Hose clip; D47-67 X 12	28 02 115		
9	Reducing hose; DN34 X DN48; 110	62002984		
10	Reinforced hose; DN13 X 3,5	40 02 002		410mm; Metre item; pressure boiler
10	Reinforced hose WRC; DN13 X 3,5	40 02 029		410mm; metre item; UK+Australia; Pressure boiler
10	Reinforced hose; DN13 X 3,5	40 02 002		450 mm; metre item; Pressure-independent boiler
10	Reinforced hose WRC; DN13 X 3,5	40 02 029		450 mm; metre item; UK+Australia; Pressure-independent boiler
11	Hose clip; D14-24 X 9	28 02 108		
12	T-hose socket; D13	29 06 508		
13	Double hex ring spanner; SW61,5	60003376		



GS 202 - GS 402

Rinse system top

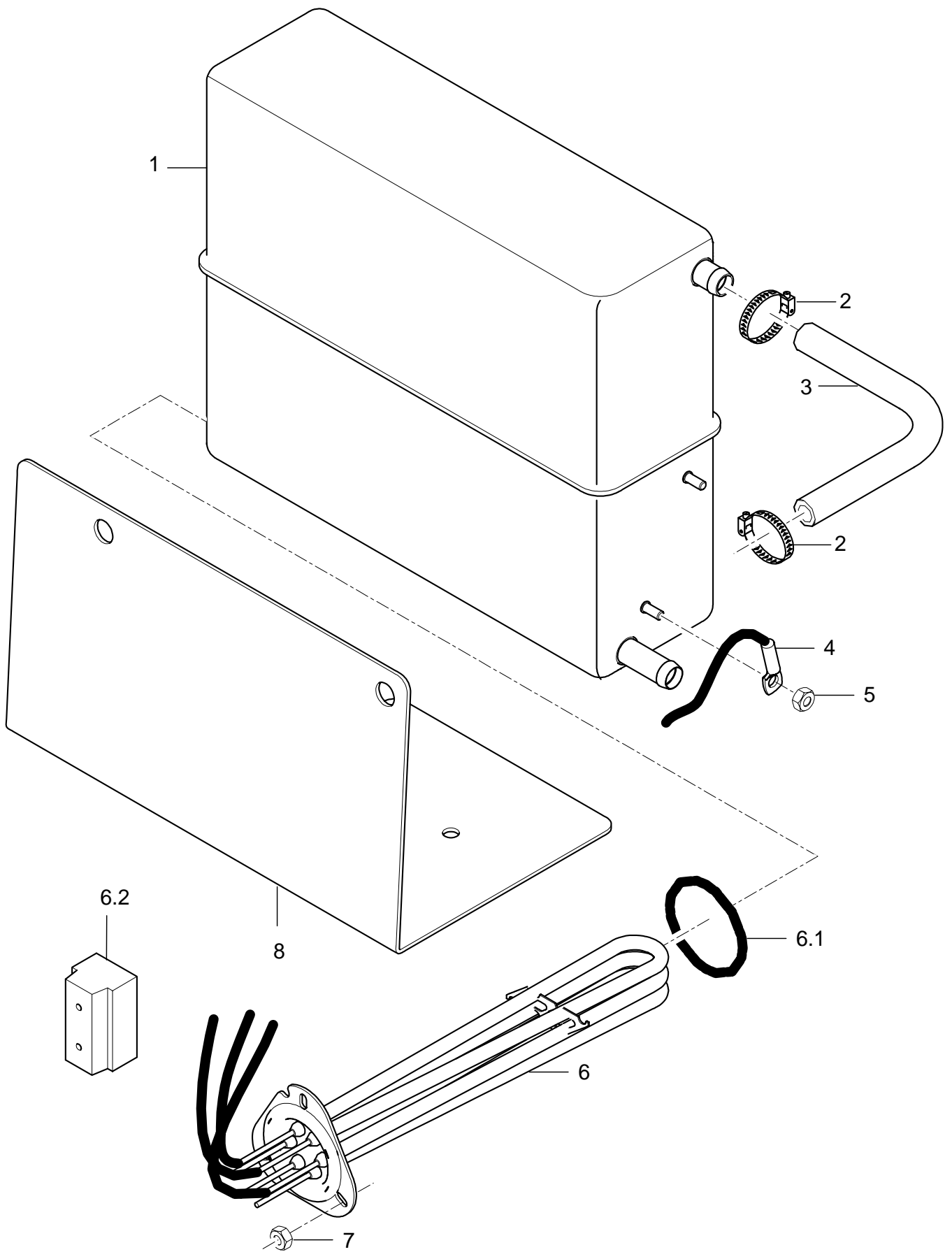
Item.	Designation	Parts no.:	Pc.	Notes
1	Shaped hose; DN12,5 X DN14 X 3,5	62003101		Pressure boiler
1	Shaped hose; DN12,5 X DN14 X 3,5	62003428		Pressure-independent boiler
2	Revolving rinse arm kit	62003347		
2.1	Revolving arm screw; M12 X 30; SW20	60003045		
3	Revolving rinse arm spindle kit	60003617		
3.1	O-ring; 10 X 2,5	27 07 030		
4	Set of water inlets top	62003346		
4.1	Hose clip; D14-24 X 9	28 02 108		
4.2	O-ring; 56 X 3	27 07 064		
4.3	Hose clip; D32-52 X 12	28 02 110		
4.4	Sheet metal screw; ST 3,9 X 9,5	20 20 307		
6	Double hex ring spanner; SW61,5	60003376		



GS 202 - GS 402

Top washing/rinsing system GS 402

Item.	Designation	Parts no.:	Pc.	Notes
1	Shaped hose; DN12,5 X DN14 X 3,5	62003101		Pressure boiler
1	Shaped hose; DN12,5 X DN14 X 3,5	62003428		Pressure-independent boiler
2	Revolving rinse arm kit	62003347		
2.1	Washer; D14,10 X D20 X 1,0	60003487		
2.2	Locking ring; D12 X 0,8	60003023		
2.3	Washer; D16,1 X D22 X 1,0	60003264		
2.4	Sliding ring; D22 X D16,30 X 1	60003173		
2.5	Revolving arm screw; M12 X 31,3; D20	60003022		
3	Set of rotary arms washing	62003531		
3.1	Seal ring; D53,4 X D57,8 X 2,0	60003021		
4	Reinforced hose; DN32 X 4,0	40 02 004		160 mm; Metre item
5	Washing distributor top kit	62003532		
5.1	Hose clip; D14-24 X 9	28 02 108		
5.2	O-ring; 56 X 3	27 07 064		
5.3	Lock nut; S54 X 4; D57	60003005		
5.4	Seal ring; D53,4 X D57,8 X 2,0	60003021		
5.5	Sheet metal screw; ST 3,9 X 9,5	20 20 307		
5.6	Hose clip; D32-52 X 12	28 02 110		
7	Revolving rinse arm spindle kit	60003616		
8	Double hex ring spanner; SW61,5	60003376		

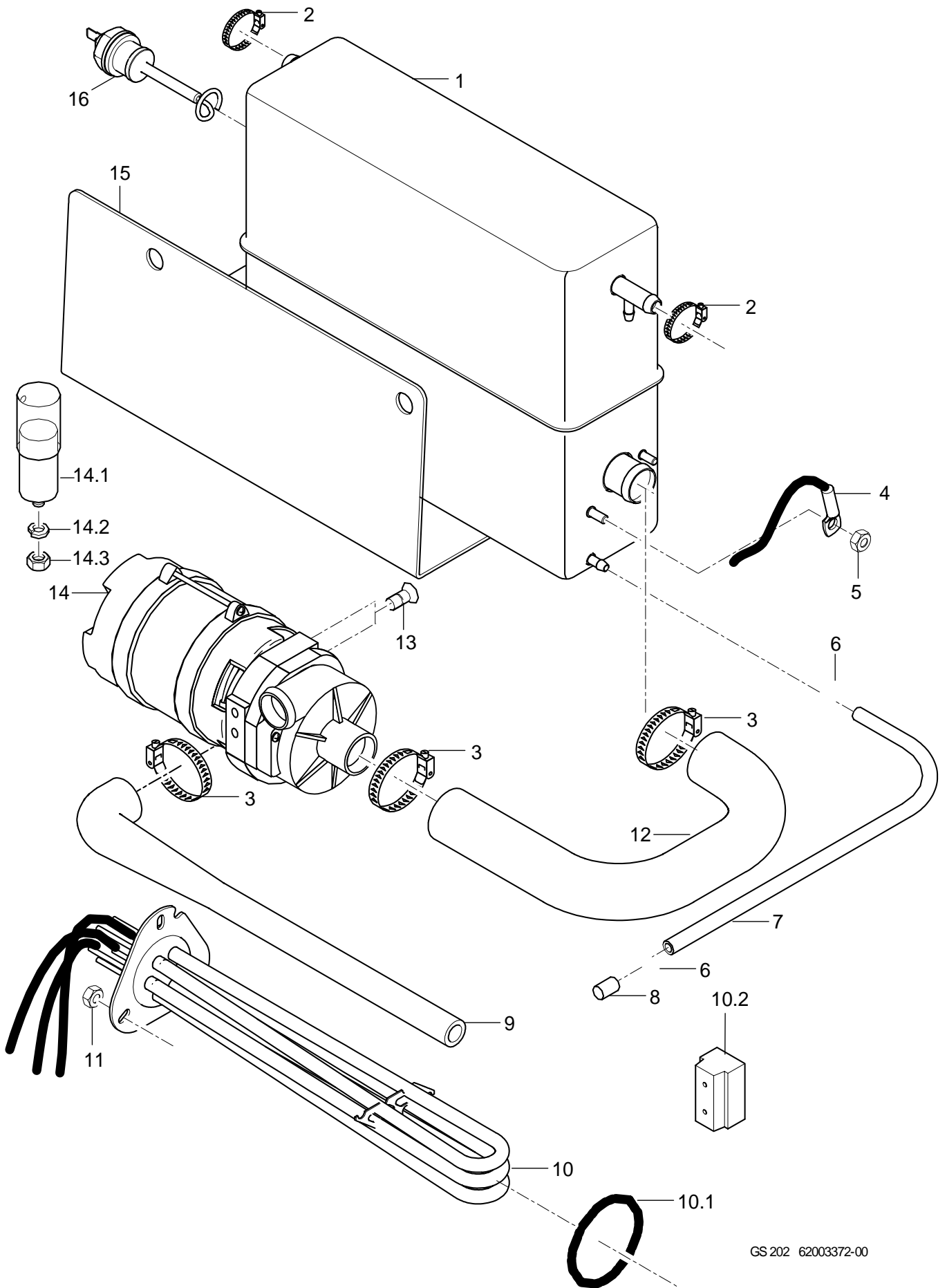


GS 202 62003371-00

GS 202 - GS 402

Pressure boiler

Item.	Designation	Parts no.:	Pc.	Notes
1	Pressure boiler cpl.	62003255		
2	Hose clip; D12-22 X 9	28 02 105		
3	Reinforced hose; DN13 X 3,5	40 02 002		225mm; Metre item
3	Reinforced hose WRC; DN13 X 3,5	40 02 029		225 mm; UK; Australia
4	Boiler thermal sensor with cable; KABELLÄNGE 1500MM	31 25 051		with heat conducting film
5	Self-locking nut with serrated surface; M5	21 01 310	2	
6	Heater with fuse; 5.0kW; 3 X 380-420V	60003598		Rotary current (star connection)
6	Heater with fuse; 5.0kW; 3 X 240V DREIECK	60003599		Rotary current (delta connection)
6	Heater with fuse; 5.0kW; 3 X 208V DREIECK	60003600		Rotary current (delta connection)
6	Heater with fuse; 5.0kW; 3 X 380-420V STERN	60003601		Rotary current (Australia)
6	Heater with fuse; 3.5kW; 3 X 400V STERN	60003602		Rotary current (fuse protection 10A)
6	Heater with fuse; 4.0kW; 1 X 220-240V	60003604		Alternating current (fuse protection 25A; UK)
6	Heater with fuse; 2.6kW; 1 X 220-240V	60003605		Alternating current (fuse protection 16A)
6	Heater with fuse; 2.6kW; 1 X 220-240V	60003606		Alternating current (fuse protection 16A; Australia)
6	Heater with fuse, 2.6kW; 1 X 208V	60003607		Alternating current (fuse protection 20A; Japan, USA)
6	Heater with fuse; 1.8kW; 1 X 220-240V	60003610		Alternating current (fuse protection 13A; UK)
6	Heater with fuse; 1.1kW; 1 X 200V	60003608		Alternating current (Japan)
6.1	O-ring blue; 46 X 6,0	27 07 071		
6.2	Appliance terminal; 4-POLIG; 10QMM	31 09 227		
7	Hexagonal nut; M5	21 01 203	3	
8	Support; 1,5 X 180 X 206,8	62003290		

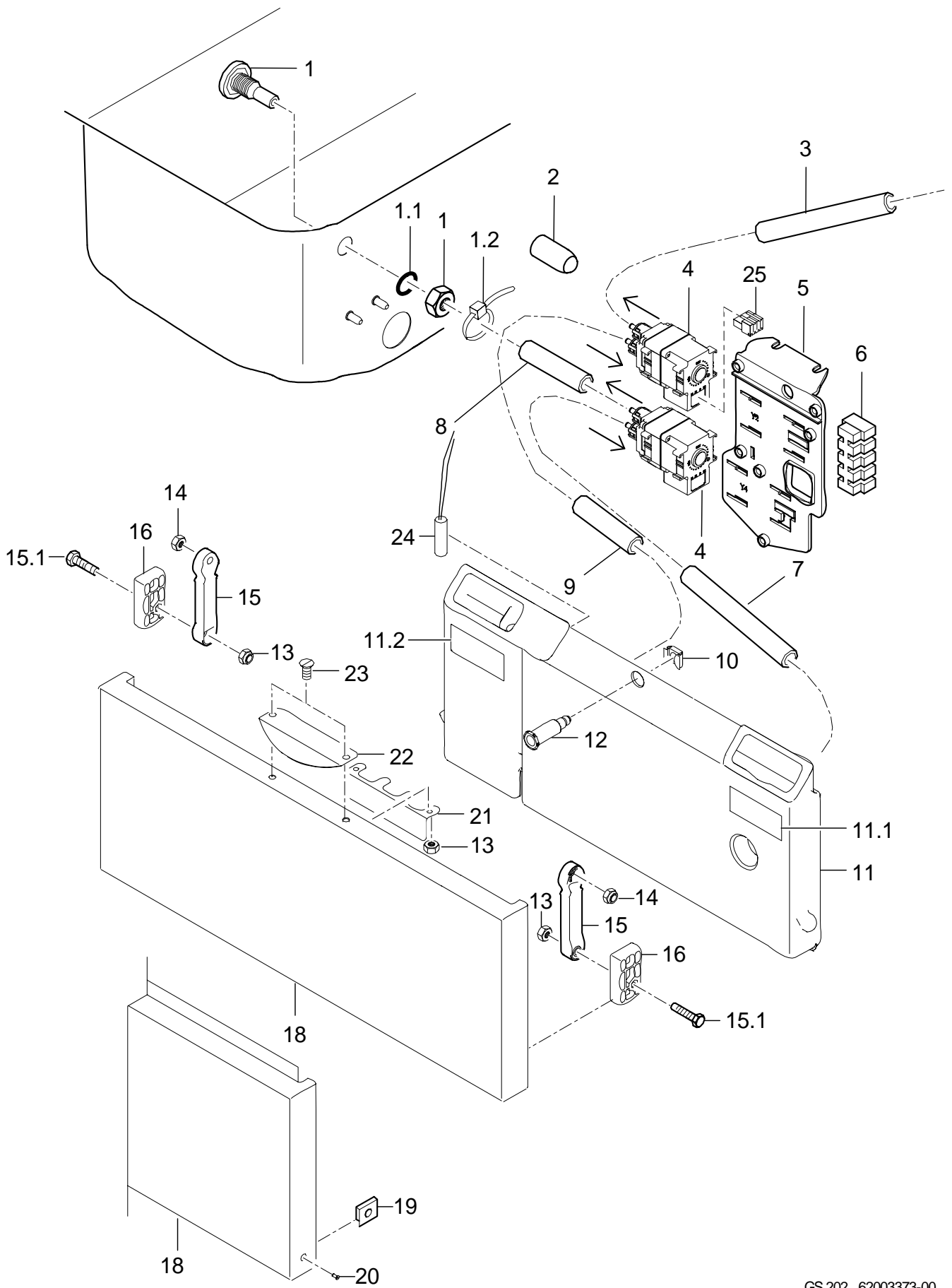


GS 202 62003372-00

GS 202 - GS 402

Pressure-independent boiler

Item.	Designation	Parts no.:	Pc.	Notes
1	Pressure-independent boiler	62002941		
2	Hose clip; D12-22 X 9	28 02 105		
3	Hose clip; D24-36 X 12	28 02 111		
4	Boiler thermal sensor with cable; KABELLÄNGE 1500MM	31 25 051		with heat conducting film
5	Self-locking nut with serrated surface; M5	21 01 310	2	
6	Nylon clip; 100 X 2,5	31 20 175		
7	Hose; DN5 X 1,5	40 01 024		700 mm; Metre item
8	Bolt; D6 X 30	70200383		
9	Shaped hose; DN12,5 X DN25 X 3,5	62003099		
10	Heater with fuse; 5.0kW; 3 X 380-420V	60003598		Rotary current (star connection)
10	Heater with fuse; 5.0kW; 3 X 240V DREIECK	60003599		Rotary current (delta connection)
10	Heater with fuse; 5.0kW; 3 X 208V DREIECK	60003600		Rotary current (delta connection)
10	Heater with fuse; 5.0kW; 3 X 380-420V STERN	60003601		Rotary current (Australia)
10	Heater with fuse; 3.5kW; 3 X 400V STERN	60003602		Rotary current (fuse protection 10A)
10	Heater with fuse; 4.0kW; 1 X 220-240V	60003604		Alternating current (fuse protection 25A; UK)
10	Heater with fuse; 2.6kW; 1 X 220-240V	60003605		Alternating current (fuse protection 16A)
10	Heater with fuse; 2.6kW; 1 X 220-240V	60003606		Alternating current (fuse protection 16A; Australia)
10	Heater with fuse, 2.6kW; 1 X 208V	60003607		Alternating current (fuse protection 20A; Japan, USA)
10	Heater with fuse; 1.8kW; 1 X 220-240V	60003610		Alternating current (fuse protection 13A; UK)
10	Heater with fuse; 1.1kW; 1 X 200V	60003608		Alternating current (Japan)
10.1	O-ring blue; 46 X 6,0	27 07 071		
10.2	Appliance terminal; 4-POLIG; 10QMM	31 09 227		
11	Hexagonal nut; M5	21 01 203	3	
12	Shaped hose; DN26 X 3,5	62003000		
13	Countersunk screw; M6 X 16	20 12 319	2	
14	Pump 0.27kW 3/3; 220V/240V/1/50HZ	31 02 539		
14	Pump 0.27kW 3/3; 220V/240V/1/60HZ	31 02 461		
14	Pump 0.27kW 3/3; 200V/1/50HZ	31 02 462		Japan
14	Pump 0.27kW 3/3; 200V/1/60HZ	31 02 463		Japan; USA
14	Pump 0.27kW 3/3; 100-120V/50HZ	31 02 464		Japan
14	Pump 0.27kW 3/3; 100-120V/60HZ	31 02 465		Japan; USA
14.1	Capacitor; 5 MIKRO F	31 13 099		
14.2	Spring washer; B8	23 03 301		
14.3	Hexagonal nut; M8	21 01 305		
15	Bracket; 1,5 X 182,7 X 185	62003144		
16	Built-in electrode; D22 X 111	31 13 163		

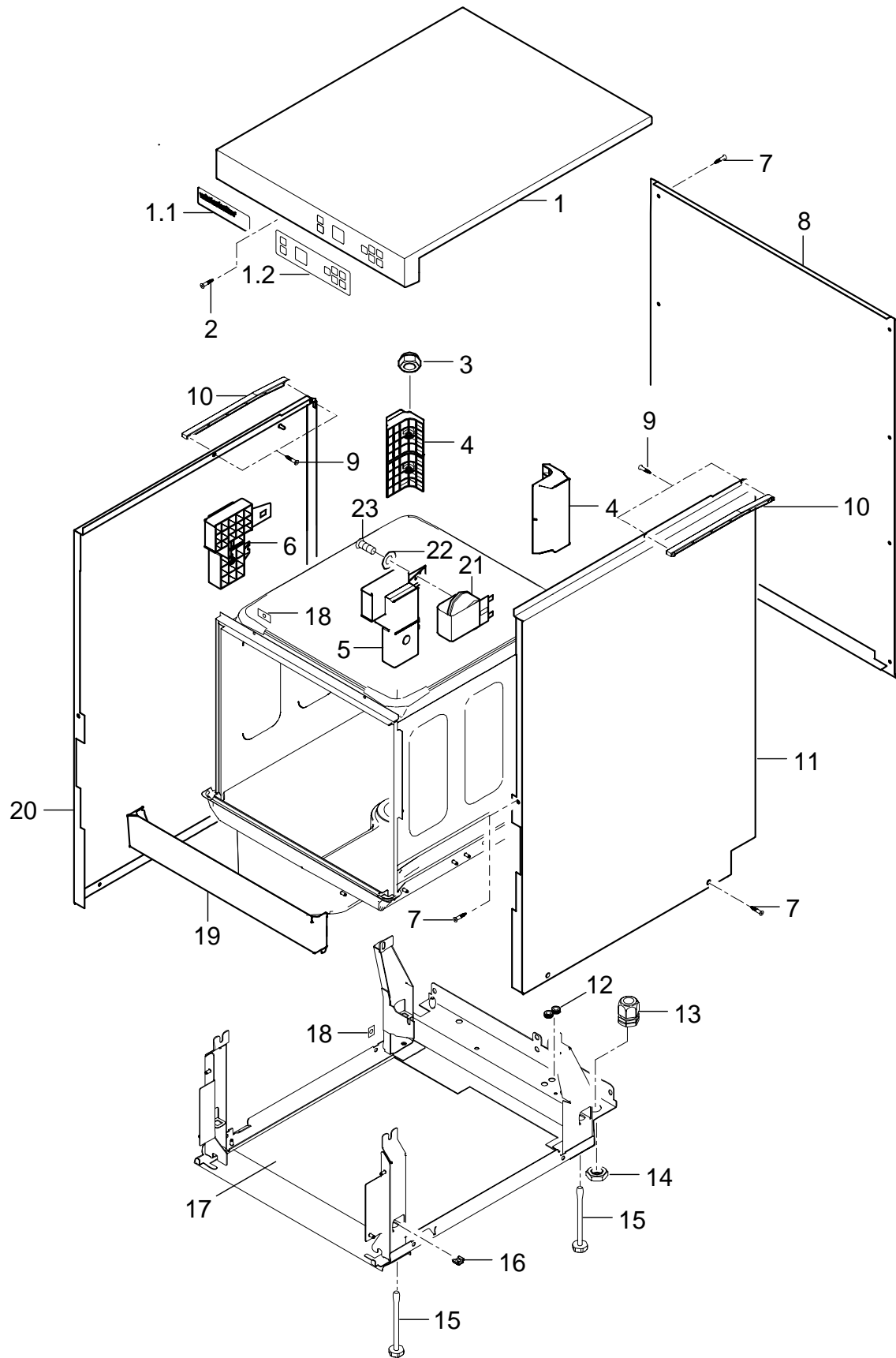


GS 202 62003373-00

GS 202 - GS 402

Dosage

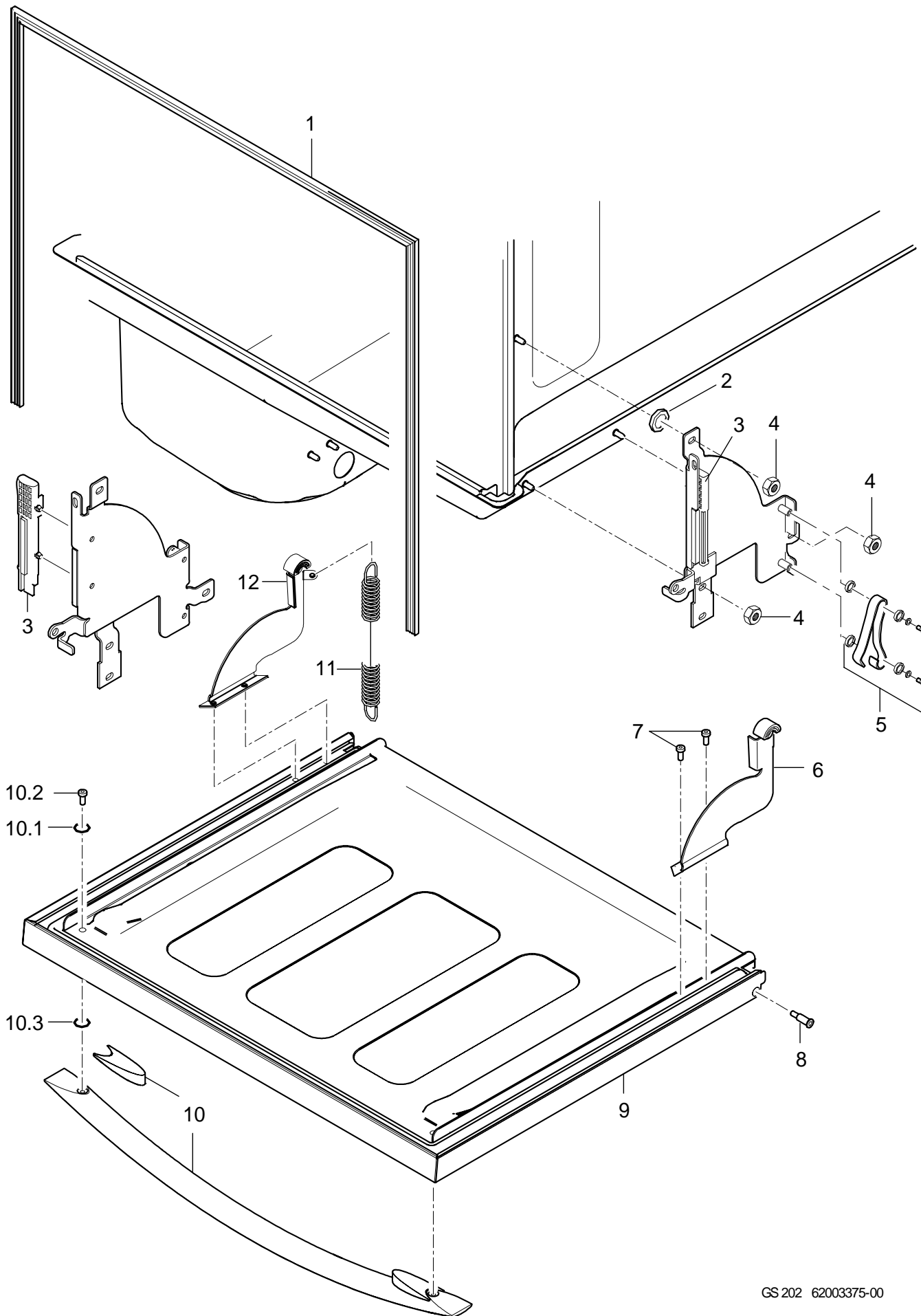
Item.	Designation	Parts no.:	Pc.	Notes
1	Dispenser nipple kit; M10 X 29; SW5	61005883		
1.1	O-ring; 10 X 2,5	27 07 030		
1.2	Nylon clip; 100 X 2,5	31 20 175		
2	Press-on cap; D6 X 15	35 03 023		
3	Hose; DN5 X 1,5	40 01 024		900 mm; Metre item
4	Dispenser MP28; 180-260V/50-60HZ	31 02 450		
5	Adapter plate; 1,5 X 80 X 100	60003688		
6	Binding post; 5-POLIG; 6QMM; 56LG	31 09 230		for connecting external dispenser
7	Hose; DN5 X 1,5	40 01 024		400 mm; Metre item
8	Hose; DN5 X 1,5	40 01 024		300 mm; Metre item
9	Hose; DN5 X 1,5	40 01 024		850 mm; Metre item
10	Captive nut; M8	21 13 006		
11	Detergent container	60003647		
11.1	Label detergent; 0,2 X 28 X 65	60003330		
11.2	Label "freshwater rinse"; 0,2 X 28 X 65	60003310		
12	Magnet support	60003643		
13	Hexagonal nut; M4 SELBSTSICHERND	21 05 300		
14	Hexagonal nut; M5 SELBSTSICHERND	21 05 302	3	
15	Set of levers	60003778		
15.1	Hexagon screw; M4 X 18	20 01 320		
16	Profile; 12,5 X 28 X 50	60003569		
18	Housing panel front	62003382		with detergent, freshwater rinse dispenser
18	Front panelling, complete	62003318		without detergent, freshwater rinse dispenser
19	Sheet metal nut; B 3,9	21 17 100		
20	Sheet metal screw; ST 3,9 X 13	20 21 302		
21	Elbow; 1,0 X 43 X 100	60003633		
22	Handle kit	60003650		
23	Countersunk screw; M4 X 10	20 12 312		
24	Magnetic switch; 25,5 X D5,75; 2250 LG	31 24 240		
25	Macro-module plug; RAST5;4-POLIG UNCOD.	31 12 094		
o.P.	Installation kit for detergent dosing device	55 28 279		



GS 202 - GS 402

Chassis, container and panelling

Item.	Designation	Parts no.:	Pc.	Notes
1	Cover plate kit	62003349		
1.1	Plate "Winterhalter GS 202"; 0,4 X 30 X 107	28 03 402		
1.2	Pad "Operating Panel"; 0,175 X 50 X 180	31 24 223		
2	Sheet metal screw; ST 3,9 X 13	20 21 302		
3	Self-locking nut with serrated surface; M5	21 01 310		
4	Support corner rear	60003010	2	
5	Support corner front right	60003009		
6	Support corner left	60003008		
7	Sheet metal screw; ST 3,9 X 13	20 20 310		
8	Rear cover	62003435		
9	Sheet metal screw; ST 3,9 X 9,5	20 20 313		
10	Slide for cover panel; 250,50 LG	60003501		
11	Housing panel right compl.	62003195		
12	Hose spout; 6,25 X D15; D8,5	61004890		
13	Cable gland; M25 X 1,5; 11 - 17 MM	31 10 153		
14	Hexagonal nut; M25 X 1,5 X 6,0; SW32	31 10 163		
15	Adjustable foot; M8 X 130; SW24	60003097	4	
16	Captive nut; M8	21 13 006	4	
17	Bottom plate, complete	62003314		up to mach. no. 805 006
17	Bottom plate, complete	62003518		from mach. no. 805 007
18	Sheet metal nut; B 3,9	21 17 100	2	
19	Panel	62003504		
20	Housing panel left compl.	62003194		
21	Buzzer; 230VAC;75DB;23X30,5MM	31 13 133		additional equipment
22	Washer; D5,3 X D15 X 1,2	22 05 301		
23	Lens head screw; M3 X 10	20 10 004		
o.P.	Set of acoustical level indicators; WPS MAX. VORHANDEN	55 28 281		for machines with maximum WPS version
o.P.	Set of acoustical level indicators; WPS MAX.NICHT VORHAND.	55 28 282		for machines with minimum WPS version
o.P.	Set of vapour protectors, cpl.	80002875		additional equipment

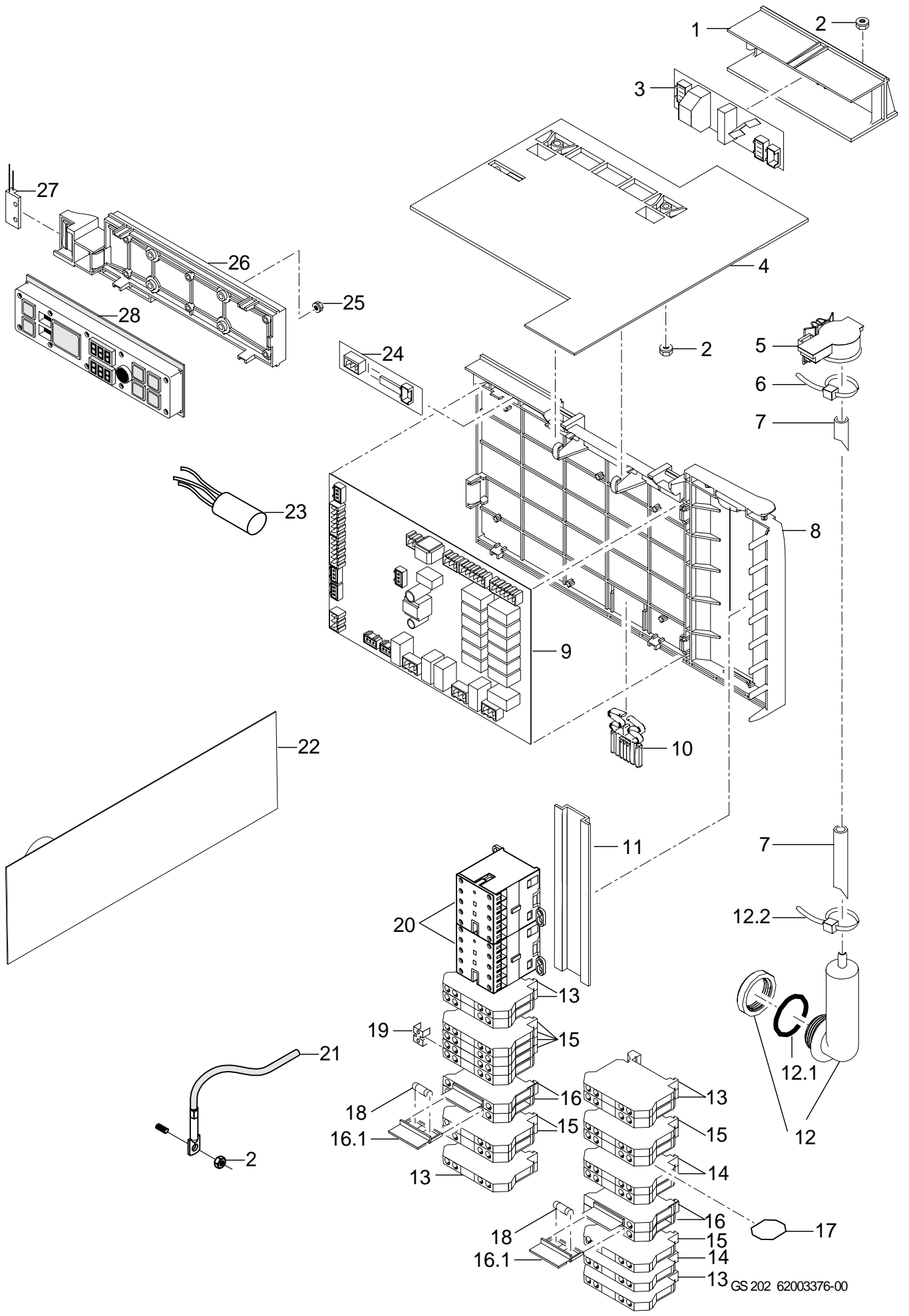


GS 202 62003375-00

GS 202 - GS 402

Door

Item.	Designation	Parts no.:	Pc.	Notes
1	Door seal	62003065		
2	Washer; D5,3 X D15 X 1,2	22 05 301		
3	Stopper	62003149		
4	Hexagonal nut; M5 SELBSTSICHERND	21 05 302	3	
5	Leaf spring kit	60003743		for both sides
6	Brace right, offset, cpl.	60003231		
7	Cylindrical screw; M5 X 14,8; SW3	62003334	2	
8	Door bearing bolt; D9,5 X D7,0 X M5; SW4	60003147	2	
9	Door cpl.	62002967		without door handle
10	Door handle kit	62003350		
10.1	O-ring; 5 X 1,2	27 07 070	2	
10.2	Oval head screw with hexagonal socket; M5 X 30	20 10 308	2	
10.3	O-ring; 6 X 2	27 07 012	2	
11	Tension spring; L0=195;L1=360;F1=90N	60002782		
12	Brace left, offset, cpl.	60003230		
o.P.	Silicone adhesive Elastosil E43; 90 ML	34 03 012		for door seals



GS 202 62003376-00

GS 202 - GS 402

Electrical parts

Item.	Designation	Parts no.:	Pc.	Notes
1	Protective cover; SCHWARZ	60003541		
2	Self-locking nut with serrated surface; M5	21 01 310	4	
3	Soft start WSA4	31 13 180		
4	Cover; SCHWARZ	60003352		
5	Pressure transmitter sensor; 0-30MBAR;5VDC/0,5-3,5V	31 26 044		
6	Nylon clip; 100 X 2,5	31 20 175		
7	Hose; DN5 X 1,5	40 01 024		750 mm; Metre item
8	Assembly plate; SCHWARZ	60003351		
9	Programme control WPS MAX; 180-265V; 50/60HZ	31 05 140		
10	Latch; SCHWARZ	60003356		
11	Snap-on rail; 1,0 X 35 X 185	60003244		
12	Air chamber repair kit	60003525		
12.1	O-ring; 24 X 3	27 07 066		
12.2	Nylon clip; 100 X 2,5	31 20 175		
13	Double terminal, green-yellow	31 09 153	3	
14	Double terminal, gray	31 09 151		
15	Double terminal, blue	31 09 152		
16	Universal fuse terminal	31 09 063	2	
16.1	Fuse plug	31 09 072		
17	Isolating disk; 14 X 16	31 09 169		
18	Fuse; 250V; 6,3A	31 11 043	2	
19	Fixed bridge; 2-POLIG; FB 2-6	31 09 126		
20	Contactora B7:3H:1Ö; 220-255V/50-60HZ	31 04 154	2	
20	Contactora B7:3H:1Ö; 200V/50-60HZ	31 04 171	2	Japan; USA
20	Contactora B7:3H:1Ö; 208V/50-60HZ	31 04 176	2	
21	Tank thermal sensor with cable; KABELLÄNGE 1700MM	31 25 050		with heat conducting film
22	Foil heating element 600 watts; 230V, 310 X 115MM	60003653		
22	Foil heating element 600 watts; 208V, 310 X 115MM	60003654		Japan; USA
23	Radio interference suppression capacitor; 0,27MF + 2 X 2700PF	31 13 078		
24	Level sensor, electronic; 12V; 7MA; 80 X 20 MM	31 13 164		Pressure-independent boiler
25	Hexagonal nut; M3	21 01 312	4	
26	Support for operating panel	60003350		
27	Magnetic switch; 32X14,9X6,9; 400 LG	31 24 229		
28	Operating panel; 25 X 55 X 210	31 24 222		
o.P.	Cable bus; 5 X 0,34QMM	60003174		
o.P.	Pressure transmitter cable	60003178		
o.P.	Cable for level sensor	60003175		